

Grommet

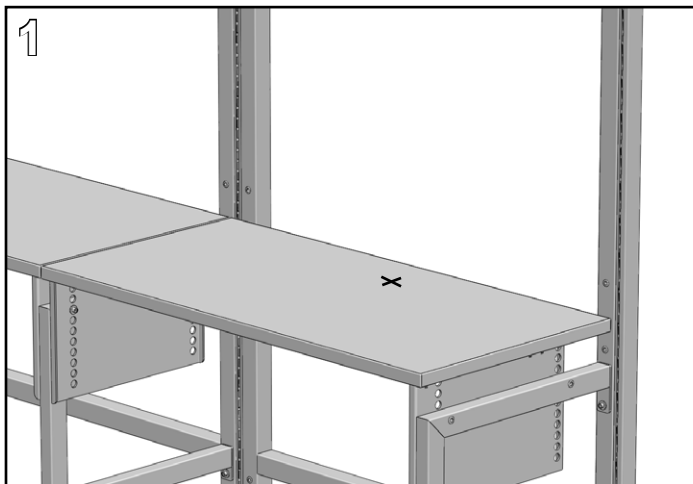
Product Numbers

- GR3P

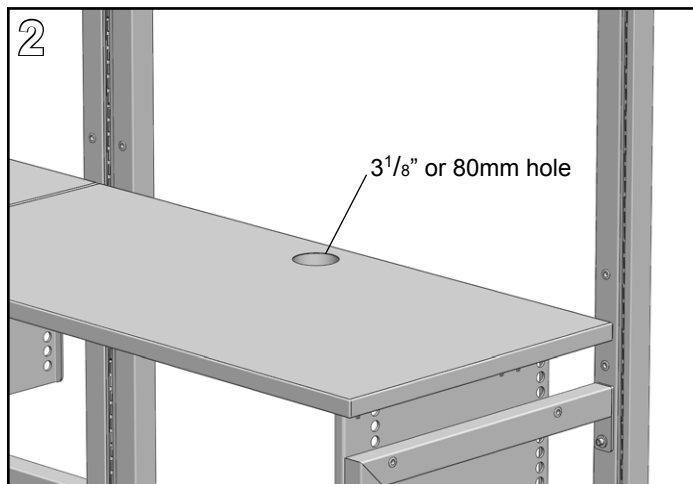
Hardware Pack: none

Required Tools

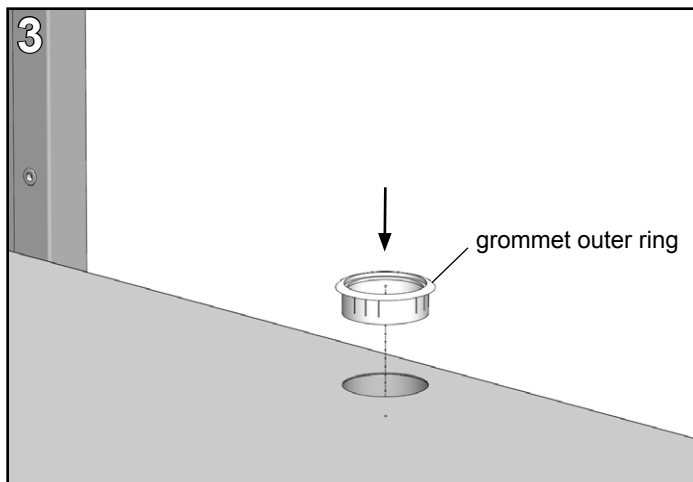
- Power Drill with Clutch
- 3-1/8" or 80mm diameter Hole Saw and Arbor (recommend Bahco brand Sandflex Bi-metal Hole Saw #3830-79-VIP and Bahco brand Arbor #3834-ARBR-9100)



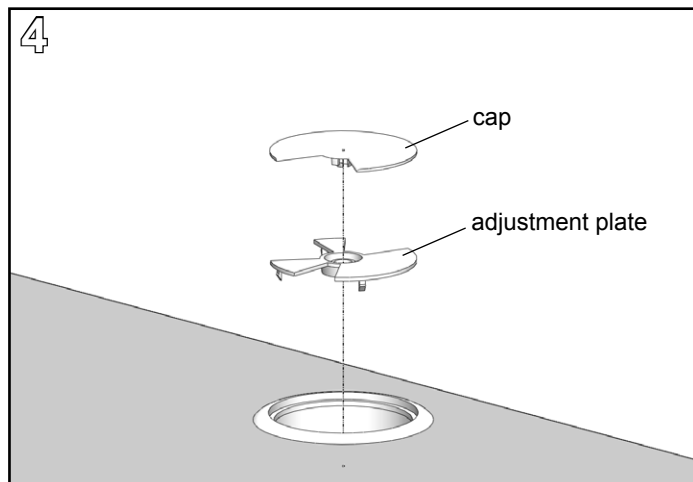
Ensure that surface is securely fastened to supports or otherwise secured in a work holding device. Mark the desired grommet center point on the top of the surface.



Using a **power drill with a clutch and hole saw** as described above, drill a hole through the surface at the marked location.



Disassemble the grommet and align the outer ring with the hole in the surface. Gently push the outer ring into the hole. If necessary, use a **rubber mallet** to tap the grommet ring down until the flange sits flush on the surface.



Reassemble grommet adjustment plate and cap in the outer ring.