

Electrical Distributor, Single-sided Face-mount

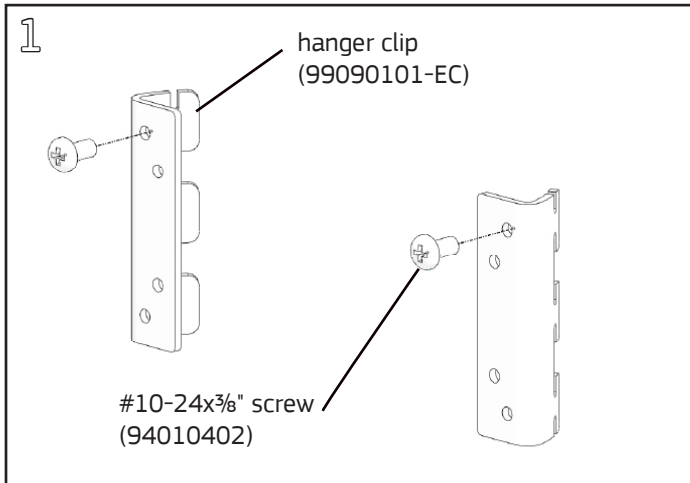
Product Numbers

- EDSFxyz
- EDR20S

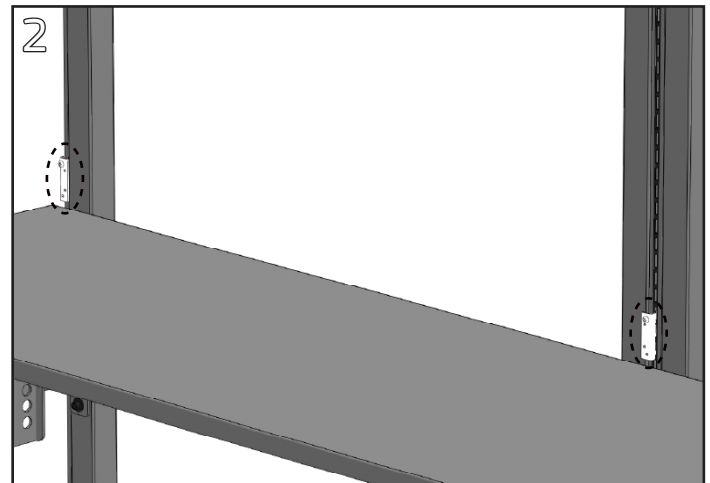
Hardware Pack: EDHP (p/n 11051511-01) or EDSF72HP (11051511-02)

Required Tools:

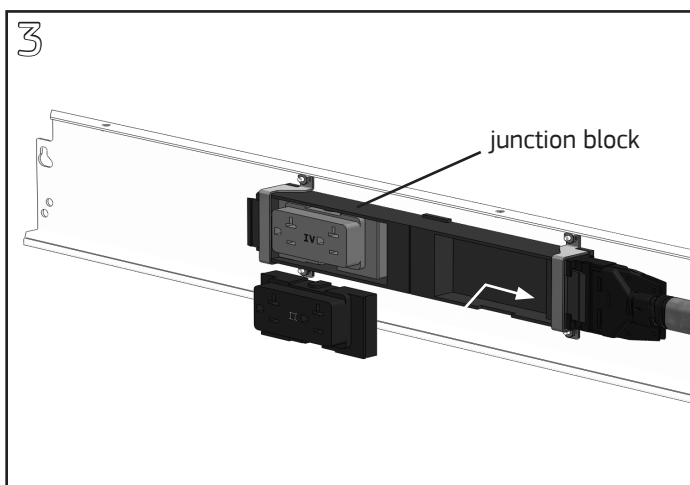
- #2 Phillips Screwdriver



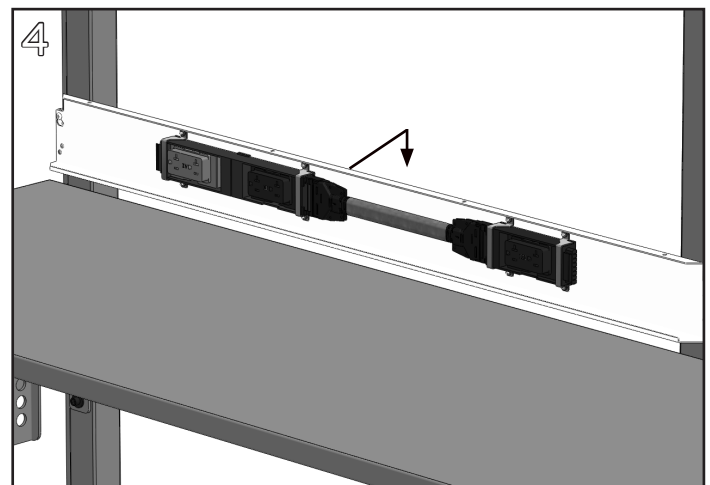
Install a #10-24x $\frac{3}{8}$ " Phillips pan head screw into the top tapped hole of two hanger clips. Leave a $\frac{1}{8}$ " gap between the head of the screw and the face of the clip.



Install a hanger clip on the left and right side of the frame at the same height with the screws at the top of each clip. For 72" wide distributors, install a third hanger clip without a top screw on the right side of the center frame joint.

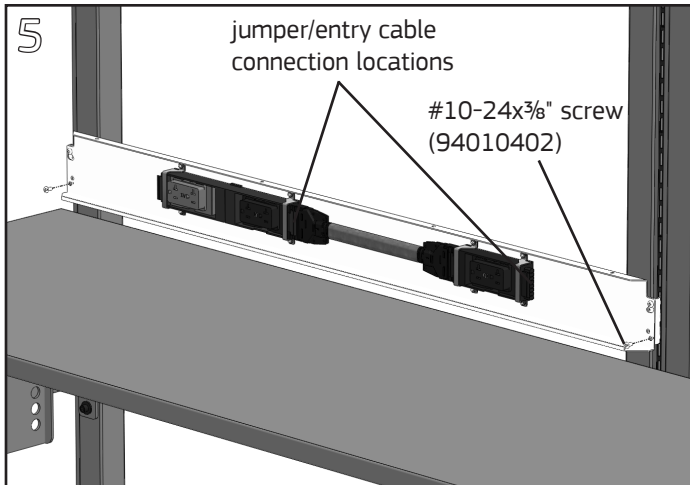


Install the Duplex Receptacles by inserting the receptacle into the junction block and sliding it to either the left or right until it clicks into place.

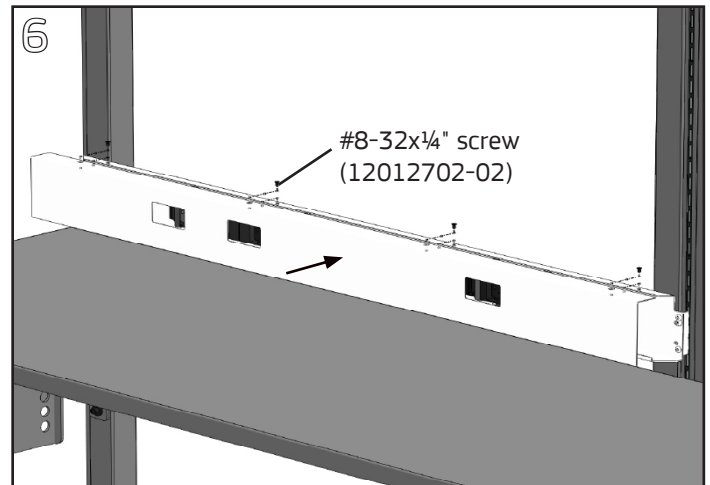


For 72" wide distributors, punch out the $\frac{1}{4}$ " knock-outs in the base at the mid clip locations. Align the bottom of the keyslots in the Electrical Distributor base with the heads of the #10-24 screws in the hanger clips from step 2. Slide the distributor down over the screws to engage.

Electrical Distributor, Single-sided Face-mount



Install an additional #10-24x3/8" Phillips pan head screw in the hole below the keyslot in each hanger clip and install two screws in the center on a 72" wide distributor. Fully tighten all hanger clip screws with a #2 Phillips screwdriver. Install required jumper/entry cables at the connection locations per additional instructions before proceeding to step 6.



Align the openings in the Electrical Distributor cover with the duplex receptacles, placing the top flange of the cover on top of the base. Align all countersunk holes in the cover with the holes in the base. Install a #8-32x1/4" Phillips flathead screw in each countersunk hole and fully tighten with a #2 Phillips screwdriver.