

Electrical Distributor, Double-sided Inset-mount

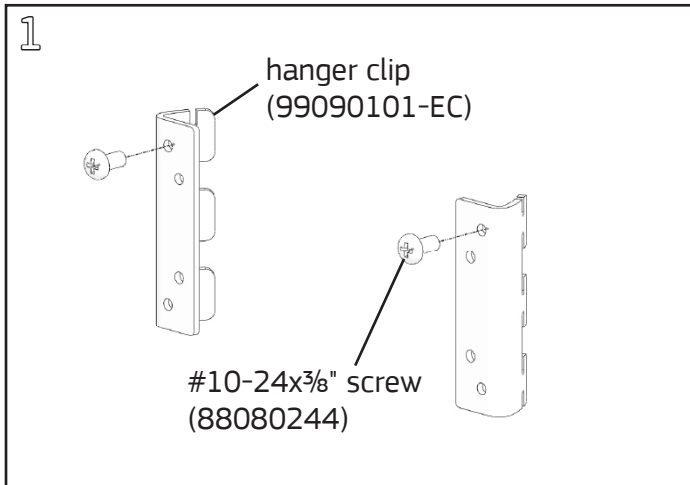
Product Numbers

- EDDNxyz
- EDR20S

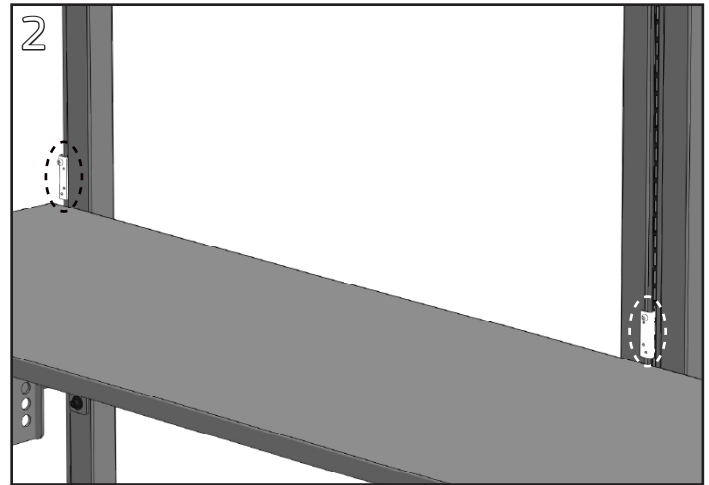
Required Tools:

- #2 Phillips Screwdriver

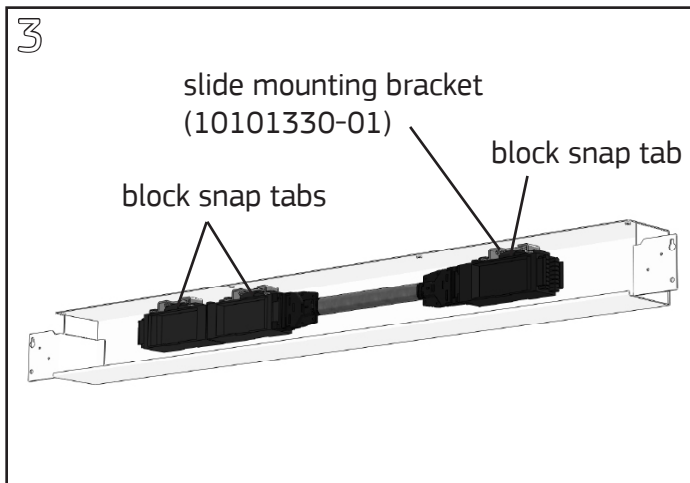
Hardware Pack: EDHP (p/n 11051511-01)



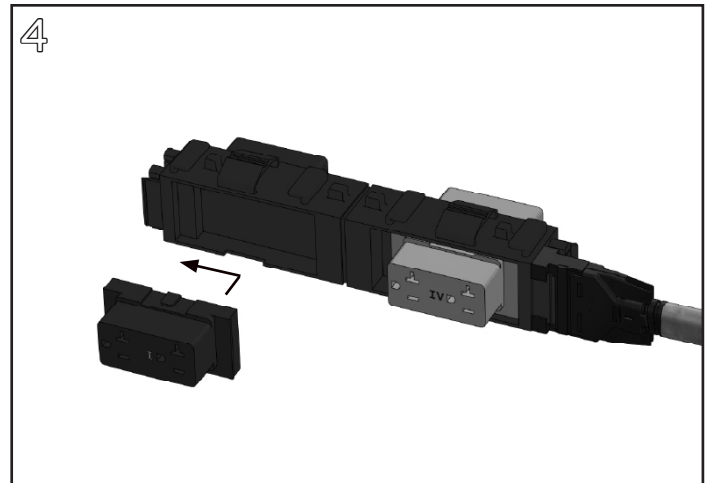
Install a #10-24x $\frac{3}{8}$ " Phillips pan head screw into the top tapped hole of each hanger clip. Leave a $\frac{1}{8}$ " gap between the head of the screw and face of the clip.



Install a hanger clip on the left and right side of the frame at the same height with the screws at the top of each clip.

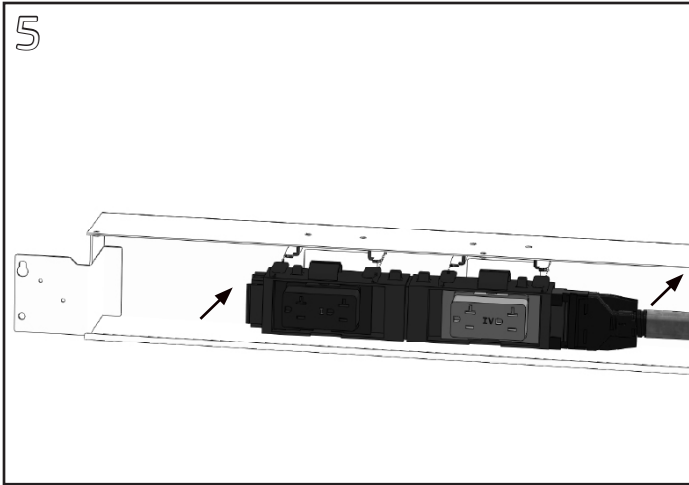


Remove the junction block assembly from the Electrical Distributor base by depressing the back plastic snap tabs at the top of the blocks and sliding the junction block forward until it clears the slide mounting brackets.

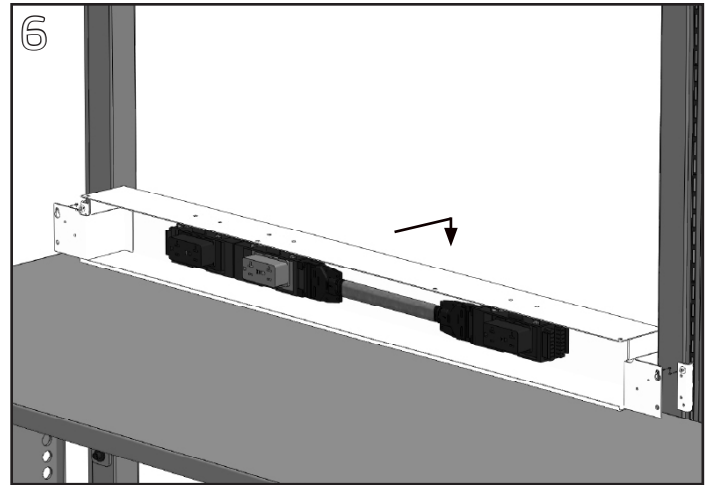


Install the Duplex Receptacles by inserting the receptacle into the junction block and sliding it to either the left or right until it clicks into place. Note the rear receptacle can only be installed/reconfigured when the junction block assembly is fully removed from the Electrical Distributor base.

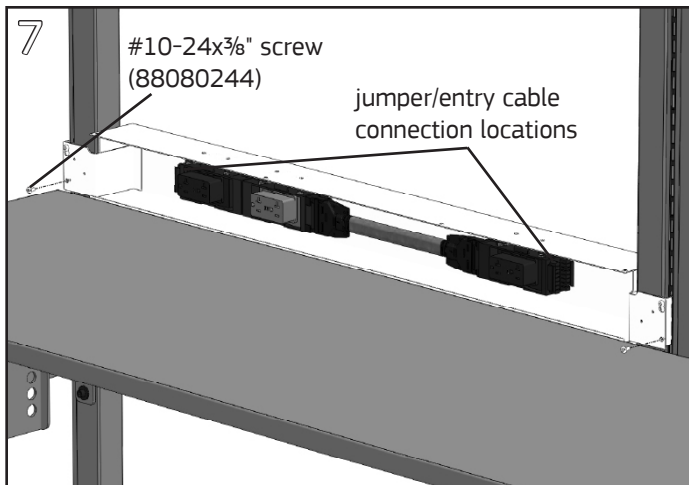
Electrical Distributor, Double-sided Inset-mount



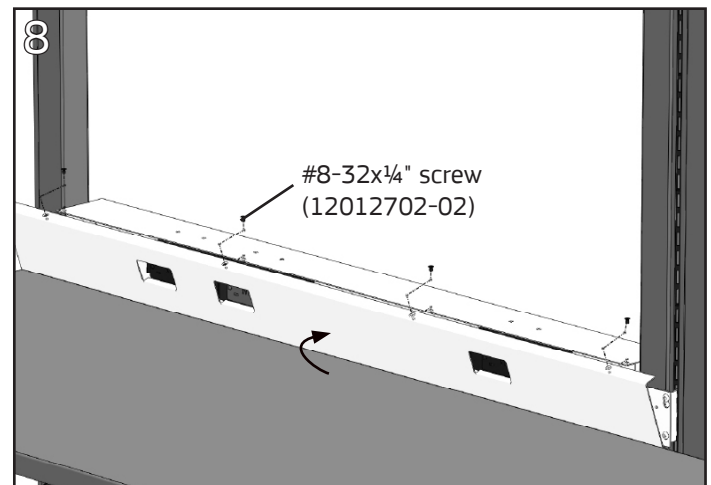
Align the tops of the junction blocks with the slide mounting brackets and slide the junction block assembly back into the Electrical Distributor base until it clicks into place.



Align the bottoms of the keyslots in the Electrical Distributor base with the heads of the #10-24 screws in the hanger clips from step 2. Slide the distributor down over the screws to engage.



Install an additional #10-24x $\frac{3}{8}$ " Phillips pan head screw in the hole below the keyslot in each hanger clip. Fully tighten all hanger clip screws with a **#2 Phillips screwdriver**. Install required jumper/entry cables at the connection locations per additional instructions before proceeding to step 8.



Holding the Electrical Distributor cover at a slight angle, align the opening with the duplex receptacle and rotate until the cover flange is on top of the base. Align all countersunk holes in the cover with the holes in the base. Install a #8-32x $\frac{1}{4}$ " Phillips flathead screw in each countersunk hole and fully tighten with a **#2 Phillips screwdriver**.