

DESK PANEL DPT

Features:

- LED display for height indication (in either cm or inch)
- 6 buttons (3 memory, 1 store button and 2 standard up/down buttons)
- With a lip on top of the table top (Ø72 with frame and Ø71.5 without frame)
- Housing with expander fixing
- Colour: Black frame and acrylic (RAL 9007) or white frame and acrylic (RAL 9016) - both with chrome print
- Black cable: 1580 mm straight cable with modular jack plug

Option:

- Customised front (colours and/or logo)

Usage:

- Ambient temperature +5°C to +40°C
- Compatible with CBD4 and CBD5



The DPT is an innovative touch panel from LINAK. The panel is the perfect choice for office desks where modern design is the keyword.

The sophisticated solution is based on touch techniques which are known from e.g. induction stoves and combines high-class design with high-class techniques.

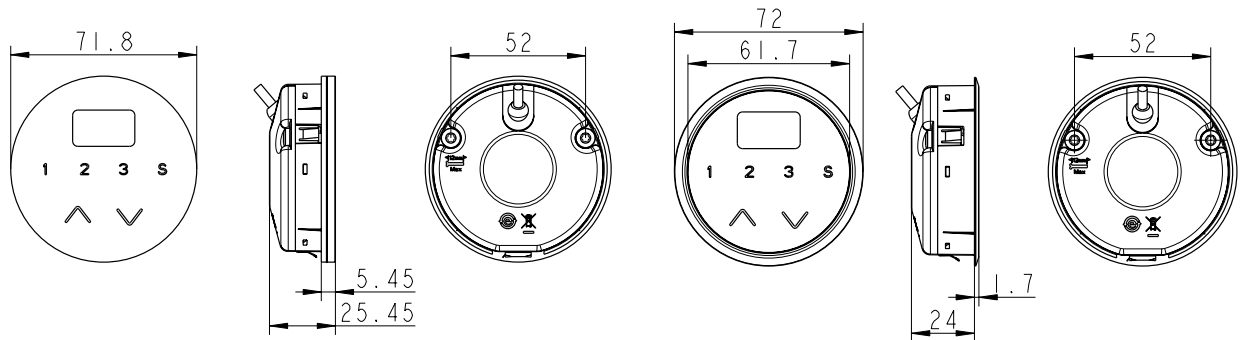
The DPT shows the actual height in a display, has 3 memory positions besides ordinary up-down adjustment and is compatible with control boxes CBD4 and CBD5. The DPT is only available as a 1-channel version for operation of the parallel channels up and down. The actual height of the desk is shown in the display. The display is of the LED type. DPT can show error codes and helps to diagnose possible failures in the system.

The DPT is meant for integration directly in the table top ensuring optimal ergonomic use and integration in the rest of the desk design. There are two versions of the touch panel, both for mounting in the table top. One is plain with the surface and one has a lip and is raised a little over the table top.

Standard versions:



Dimensions:



Operation of the DPT in connection with DESKLINE® systems



For safety reasons the DPT has a locking function.

If the DPT is locked, only a bar is lighting in the centre of the display. To unlock the control press "S" for 1 sec. When the DPT is unlocked, the height will be shown in the display. Now the DPT is active for 2.5 seconds. When pressing one of the keys you can do your adjustment. Hereafter the DPT will be active for 5 seconds. When there are no activations made within the mentioned time slot, the DPT will go in to locking mode again. Also if you press "S" for unlocking too long, the DPT will unlock but immediately lock again.

The Touch Desk Panel is used to operate the DESKLINE® systems. The DPT is divided into parallel and memory drive. The two arrow buttons are used for parallel drive and the last four buttons for memory drive.

- ↑ = Desk up
- ↓ = Desk down
- S = Store memory + unlock
- 1 = Memory 1
- 2 = Memory 2
- 3 = Memory 3



Normal operation:

To run the desk up or down, press the \wedge or \vee button, and keep it pressed until the desk reaches the desired height. The display will count the height as the table is moving and will continually show the height of the desk after stopping.

Storing a memory position:

Touch the "S" button the display will flash "S" for 3 sec. While the "S" is displayed, touch the memory button 1, 2 or 3. The display will acknowledge by showing S1, S2 or S3 for 1 sec.

To abort a store sequence press the \wedge or \vee button while the "S" is flashing, or wait the 3 seconds until the display automatically returns to show the height of the desk.

Drive to a stored position:

Press memory button 1, 2 or 3 and the system will start driving to the desired memory position. Keep the button activated until the position is reached. The display will count the height as it is driving to the memory position.

Customizing the DPT digital display

Adjust the display to show the correct height:

The DPT will show 68 cm or 24.5 inches as the height of the desk as the default setting. It may be necessary to adjust the displayed height due to different thicknesses of desktops etc. To adjust the display touch the "S" button and the \wedge or \vee button at the same time until the display shows the actual height of the desk.

Changing between cm and inches:

Touch the "S" button for approximately 4 seconds and the unit of measurement will change on the display. The default setting depends on the type chosen.

Error Codes:

The DPT has capability of displaying error codes for diagnostic feedback. Below are possible feedback errors which can be displayed by the DPT. The error codes will only be displayed when a button is touched in unlocked mode. The display will blink while showing the error. E16 overrules any other error since the detection is registered only in the display and no message is sent to the control box. For detailed error description and codes please see the appropriate CBD software description.

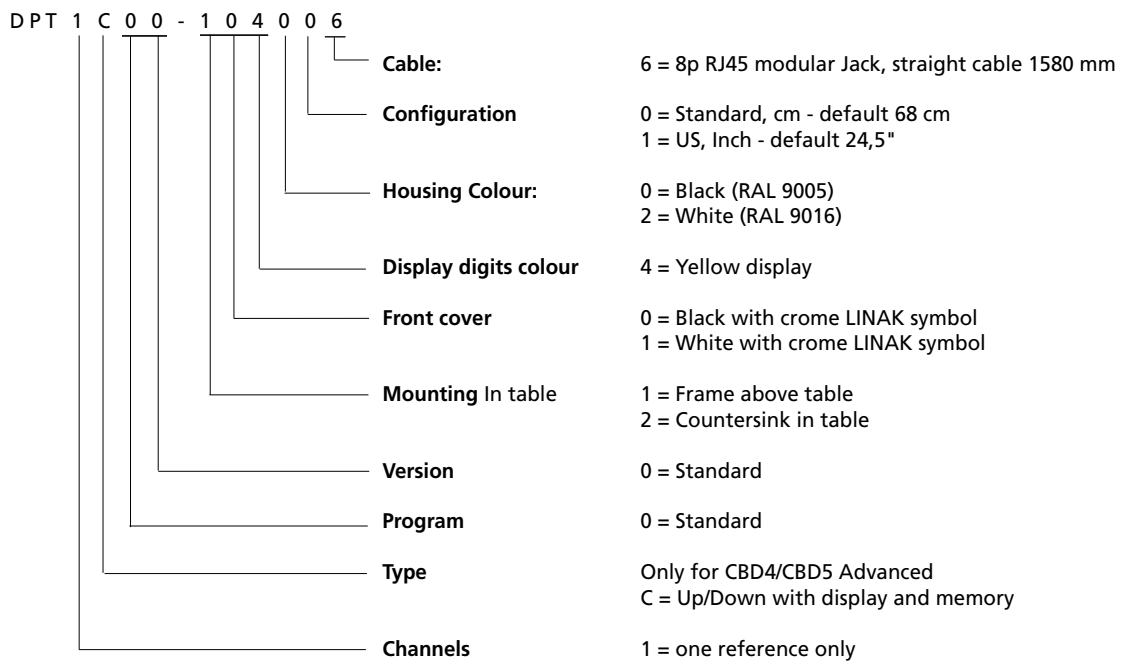
Error displayed	Description
E01	The desk has an unknown position and needs to be initialised
E02	Overload in upwards direction has occurred
E03	Overload in downwards direction has occurred
E16	Illegal keys are pressed



If several buttons in the same row are pressed at the same time accidentally, the button with the hardest pressure is activated. Touching between upper and lower row of buttons will display E16.

DPT

Ordering example:



Only the following colour combinations are possible:

Frame above table	White front	White housing
Frame above table	Black front	Black housing
Countersink in table	White front	Black housing
Countersink in table	Black front	Black housing



Please note that the DPT doesn't work with CBD4/5 with mains cut off!

For configuration and programming possibilities, please see data sheet DP1C, as the options are the same for DPT as for DP1C.

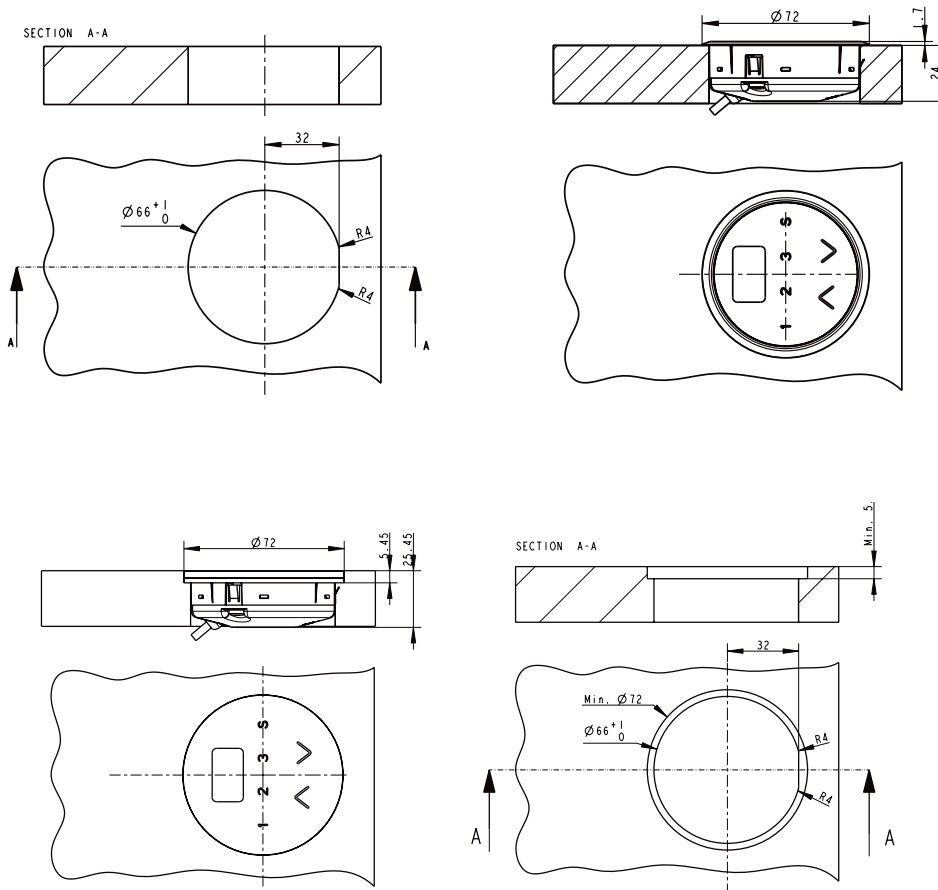
Mounting of the DP1T:

The hole in the table top has to be made according to the drawing. The DPT is mounted in the hole and the two screws on the back side are fastened with a maximum torque of 40 Ncm. If you do not have a torque screw driver please tighten gently and not more until you can feel a slight resistance. Do not use electrical tool!!



Please note:

1. Mounting the DPT into the table top should be done at the end user, so the product won't be exposed to any stress which can destroy the product, when transported.
2. For countersink versions the technician must ensure that the acrylic plate is not put under pressure which will push the acrylic plate out of place.
3. The screws which are delivered with the product must be used. If they have gone lost there shouldn't be chosen new screws which are longer than 12 mm, otherwise top and bottom will disconnect.
4. If the product has visible damages it shouldn't be mounted.
5. The product is IP30; the customers can be sure that fluids / dust will not enter the product. The front it selves is closed by the acrylic plates adhesive foil.
6. Cable release is specified for max. 5 kg.
7. Remember to remove the protection foil.



Terms of use

The user is responsible for determining the suitability of LINAK products for specific application. LINAK takes great care in providing accurate and up-to-date information on its products. However, due to continuous development in order to improve its products, LINAK products are subject to frequent modifications and changes without prior notice. Therefore, LINAK cannot guarantee the correct and actual status of said information on its products. While LINAK uses its best efforts to fulfill orders, LINAK cannot, for the same reasons as mentioned above, guarantee the availability of any particular product. Therefore, LINAK reserves the right to discontinue the sale of any product displayed on its website or listed in its catalogues or other written material drawn up by LINAK. All sales are subject to the Standard Terms of Sale and Delivery for LINAK. For a copy hereof, please contact LINAK.