

DESK PANEL DPH

Features:

- Only up and down function
- Colour white or black with chrome print
- Black cable : 1580 mm straight with modular jack plug

Option:

- Customized edition

Usage:

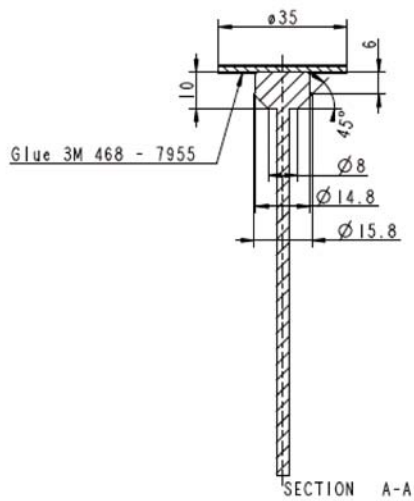
- Ambient temperature +5°C to +40°C
- Compatible with CBD2 (except CBD2N), CBD3, CBD4, CBD5
- Will be approved according to EN 60335-1 and UL962



The DPH is a small panel for adjusting tables. This new desk panel is made of foil and does only have the basic up and down function. The DPH is meant to be mounted per example into the table top of an office desk or kitchen table.

Because of the very small size the DPH is very easy to integrate in the design of the table. Another advantage of the DPH is that the customer has the possibility to choose standard colours, but also customized versions are available.

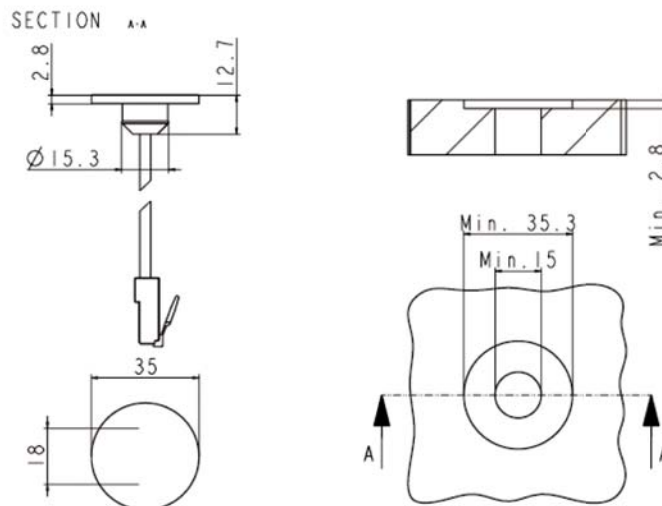
Dimensions:



Drawing no.: 0949040



Mounting of the DPH:



Drawing no.: 0949040_sales

N.B. The hole in the table top has to be made according to the drawing.

Terms of use

The user is responsible for determining the suitability of LINAK products for specific application. LINAK takes great care in providing accurate and up-to-date information on its products. However, due to continuous development in order to improve its products, LINAK products are subject to frequent modifications and changes without prior notice. Therefore, LINAK cannot guarantee the correct and actual status of said information on its products. While LINAK uses its best efforts to fulfil orders, LINAK cannot, for the same reasons as mentioned above, guarantee the availability of any particular product. Therefore, LINAK reserves the right to discontinue the sale of any product displayed on its website or listed in its catalogues or other written material drawn up by LINAK. All sales are subject to the Standard Terms of Sale and Delivery for LINAK. For a copy hereof, please contact LINAK.