

DESK PANEL DPF WITH DISPLAY

Features:

- *Up and down drive*
- *3 memory positions*
- *Display with white LED*
- *Colour black (RAL 9005) plastic, front cover and buttons or white (RAL 9016) plastic, front cover and buttons. Both versions with chrome print*
- *Black cable with modular jack plug, 1700 mm straight*

Options:

- *Different ways of mounting – straight or angled mounting bracket (to be ordered separately)*

Usage:

- *Ambient temperature +5 °C to +40 °C*
- *Compatible with CBD4 and CBD5*
- *Will be approved according to EN 60335-1 and UL962*

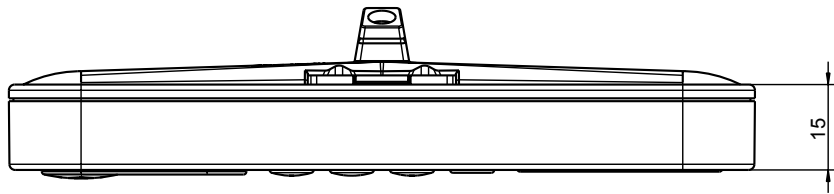
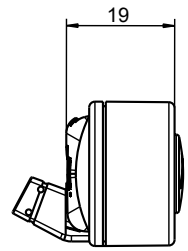
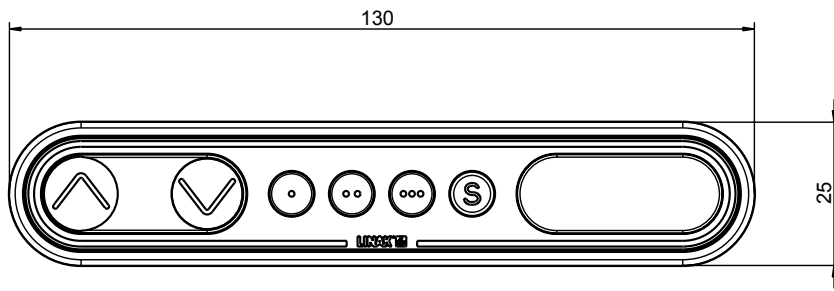


The hallmark of the DPF desk panel series is the new modern design which combines classic looks with intuitive, practical use.

The up and down buttons have been made extra "user-friendly" as they are shaped "after the function" meaning the user can feel the differences and it is not necessary to look when operating the system.

Furthermore the DPF1C version with display has the feature to show the height of the desk in either cm or inch and the panel can be used for diagnostics as error codes can be displayed.

Dimensions:

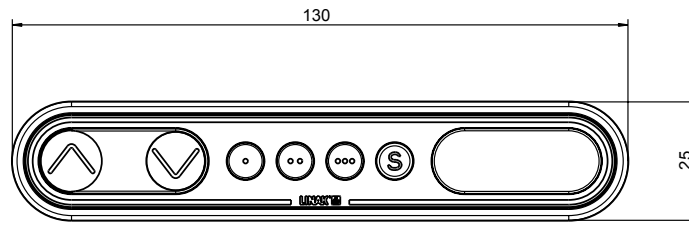


Operation of the DPF1C:

Λ = Parallel up
V = Parallel down

S = Store memory

- = Memory 1
- = Memory 2
- = Memory 3



Up and down (Λ V):

Just activate either the up or down button for parallel drive and the system will drive until the button is released again or the system reaches end position.

Memory:

The four small buttons are used for memory drive/storing memory.

Store memory

- Press S – button, the display will flash for 2 seconds
- Within these two seconds press one of the small buttons with dots and the position will be stored at this button.
- The panel will acknowledge by showing "1", "2" or "3" in the display depending on chosen position

Memory drive (small buttons with dots)

Press one of the memory buttons and the system will start driving to the pre-programmed memory position. Keep the button pressed until the position is reached.

Display function

Shows the actual height in either cm or inch.

Other functions:

Adjusting initial height

It may be necessary to adjust the displayed height due to different thicknesses of desktops etc. The DPF1C will as standard either show 68cm or 24.5 inch as the default desk height.

Procedure:

Press Λ and V keys at the same time and keep them pressed for 5 seconds. This allows the initial height to be adjusted. Until the initial height can be adjusted, the display will show three minuses (---) after which the display will revert to showing the height. The height can then be adjusted by either Λ or V until the desired height has been reached. The system will return to normal operation (and give a short blink) after 5 seconds of inactivity on the keys.

The feature can be disabled via configuration in which case pressing Λ and V key at the same time will be considered an illegal keypress.

Switch between cm and inch.

Switching between cm and inch can only be done via the DPF1C configurator

Adjusting the light intensity of the LED display

Possible settings are Off, 6 %, 12 %, 19 %, 25 %, 37 %, 50 %, 75 % and 100 %. The adjustment can only be done via the DPF1C configurator.

Adjusting the light timeout

Possible settings are 0-15 seconds and Off. The adjustment can only be done via the DPF1C configurator.

Error codes

Below please find the possible error codes which can be displayed. The error codes will only be displayed when a button is pressed. The display will blink while showing the error code. The E16 error will overrule any other errors as the detection is registered only in the display and no message is send to the control box.

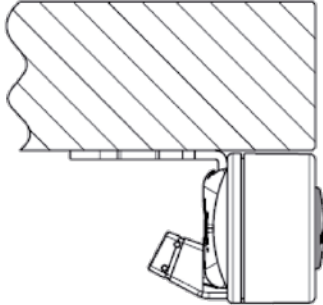
Error code	Description
E01	The desk has an unknown position and need to be initialized.
E02	Overload in upwards direction has occurred.
E03	Overload in downwards direction has occurred.
E16	Illegal keys are pressed.

Mounting of the DPF:

The DPF must be mounted via a mounting bracket. The mounting bracket comes in 4 different versions depending on how the panel should be mounted. Below are some examples on ways to mount:

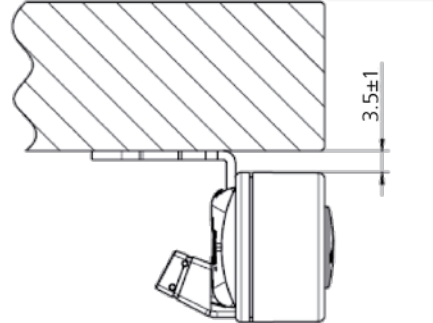
Example 1: (Article number 914759)

The panel is mounted with a 90° bracket and placed closed to the tabletop.



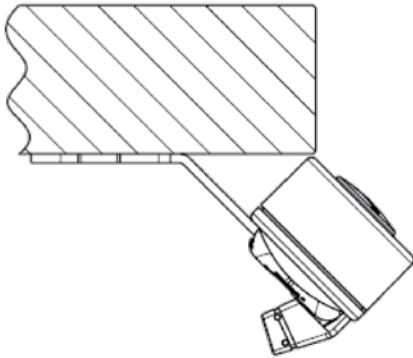
Example 2: (Article number 914757)

The panel is mounted with a 90° bracket and placed with a distance to the tabletop.



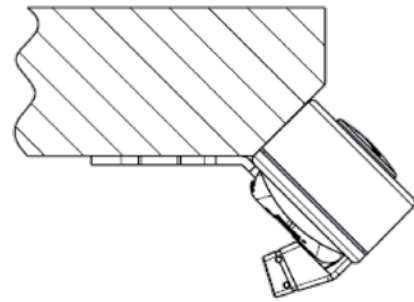
Example 3: (Article number 914760)

The panel is mounted with a 45° bracket and placed at the edge of the tabletop.



Example 4: (Article number 914785)

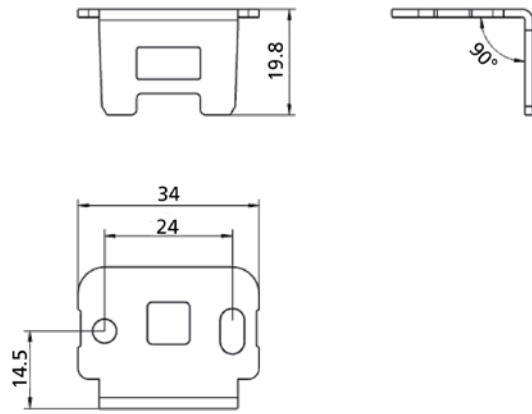
The panel is mounted with a 45° bracket and placed on a tabletop with angled front.



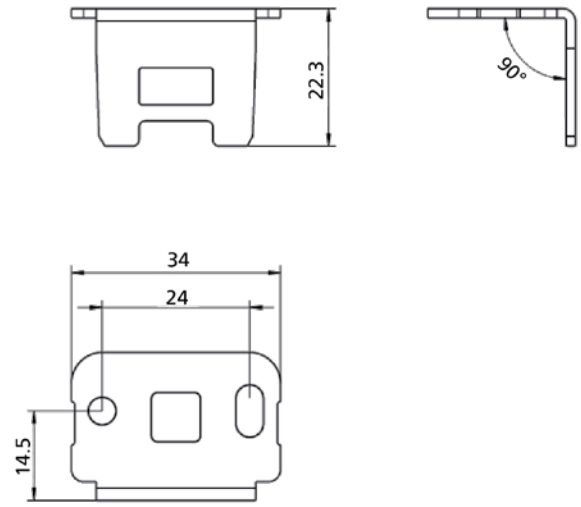
To mount the panel: Just click the panel into the bracket and it is fixed.

Drawings of the mounting brackets:

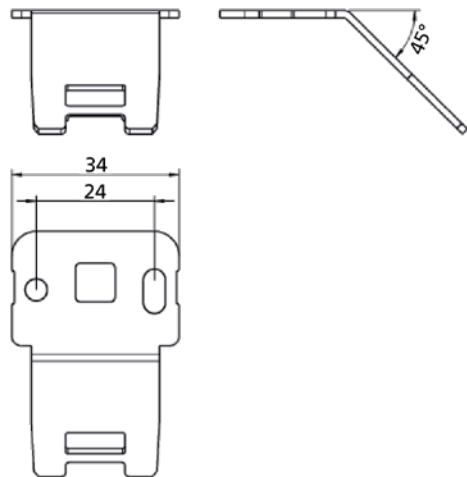
Article number 914759



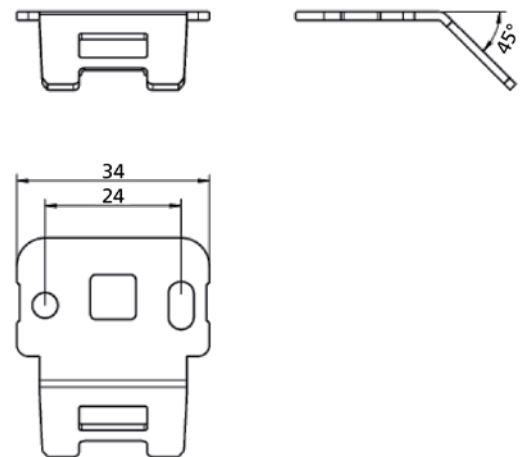
Article number 914757



Article number 914760

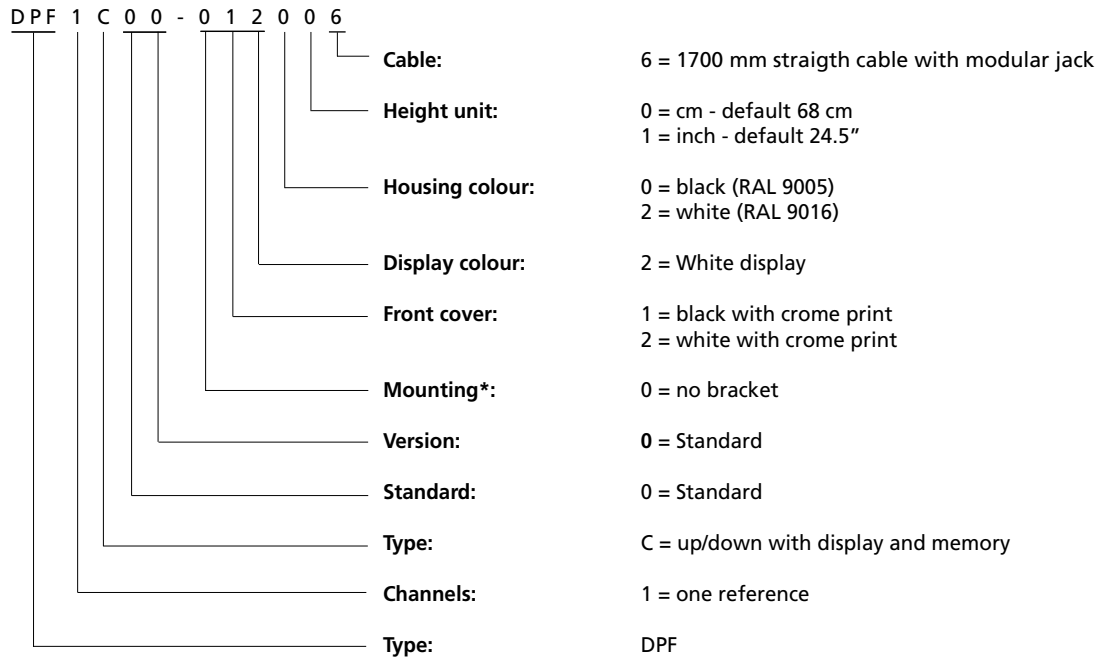


Article number 914785



DPF1C

Ordering example:



* Brackets must be ordered separately.
Mounting brackets: (delivered in bags with 100 pieces)

Article number	Description
914759	90° bracket, no distance to the tabletop
914757	90° bracket, with distance to the tabletop
914760	45° bracket, for a straight table front
914785	45° bracket, for angled table front

Terms of use

The user is responsible for determining the suitability of LINAK products for specific application. LINAK takes great care in providing accurate and up-to-date information on its products. However, due to continuous development in order to improve its products, LINAK products are subject to frequent modifications and changes without prior notice. Therefore, LINAK cannot guarantee the correct and actual status of said information on its products.

While LINAK uses its best efforts to fulfil orders, LINAK cannot, for the same reasons as mentioned above, guarantee the availability of any particular product. Therefore, LINAK reserves the right to discontinue the sale of any product displayed on its website or listed in its catalogues or other written material drawn up by LINAK. All sales are subject to the Standard Terms of Sale and Delivery for LINAK. For a copy hereof, please contact LINAK.