

DESK PANEL DPA

Features:

- Control panel for up to 4 actuators in parallel
- Colour: Charcoal grey RAL 7016, buttons RAL 7038
- Black, 1580 mm, straight cable with modular jack plug
- Plastic housing with mounting holes (LINAК does not supply the screws)
- Adjustable panel

Options:

- Customised front cover

Usage:

- Compatible with CBD2, CBD3, CBD4, and CBD5
- Approved according to: EN 60335-1 and UL 962



The DPA (Desk Panel Adjustable) is a small, compact control panel for adjusting the desk.

The DPA is a flexible unit, which is easy to mount in different ways and to adjust in different positions. The DPA is compatible with most DESKLINE® systems.



Note: the DPA is not compatible with CBD2N (only DESKLINE® control boxes with microprocessor).

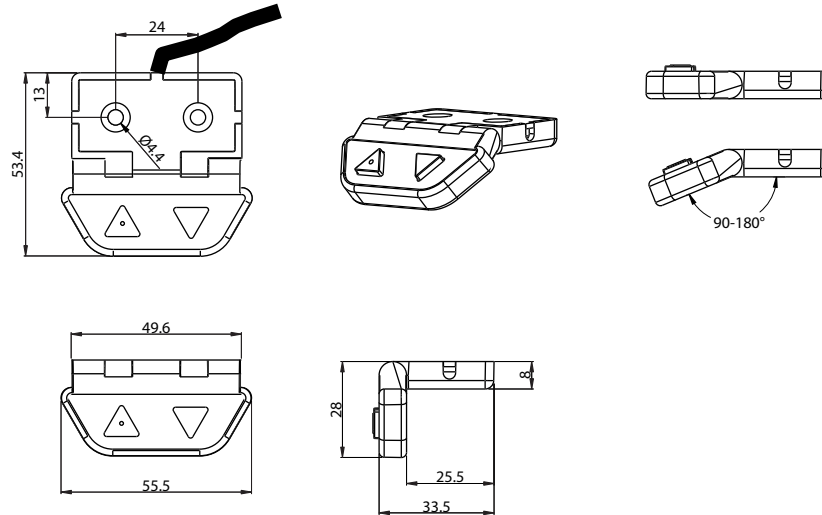
Operation of the DPA in connection with DESKLINE® systems

The Desk Panel is used to operate the DESKLINE® system. The two arrow buttons are used for parallel drive.

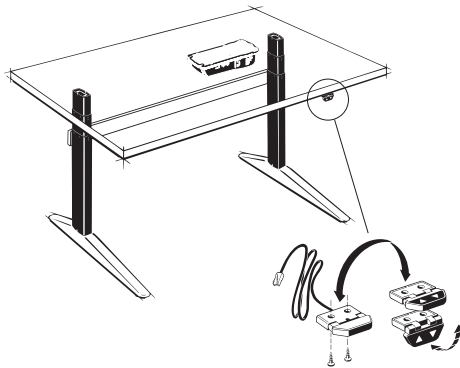
Parallel drive (Δ▽)

The arrow buttons start parallel drive. The function is only activated when holding the button down.

Dimensions:



Mounting guidelines:



The DPA can be mounted on the desktop so that the keys are either facing upwards or outwards. Alternatively, the DPA can be mounted flat under the desktop with the keys facing downwards.

DPA Ordering example

DPA	K	0	6	
				Cable:
				6 = Straight 1580 mm 8 pole modular jack
				Colour:
				0 = Dark Grey RAL 7016
				Control box type:
				CBD2/CBD3/CBD4/CBD5/CBD7
				Type:
				DPA

Terms of use

The user is responsible for determining the suitability of LINAK products for specific application. LINAK takes great care in providing accurate and up-to-date information on its products. However, due to continuous development in order to improve its products, LINAK products are subject to frequent modifications and changes without prior notice. Therefore, LINAK cannot guarantee the correct and actual status of said information on its products. While LINAK uses its best efforts to fulfil orders, LINAK cannot, for the same reasons as mentioned above, guarantee the availability of any particular product. Therefore, LINAK reserves the right to discontinue the sale of any product displayed on its website or listed in its catalogues or other written material drawn up by LINAK. All sales are subject to the Standard Terms of Sale and Delivery for LINAK. For a copy hereof, please contact LINAK.