

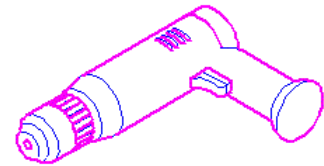
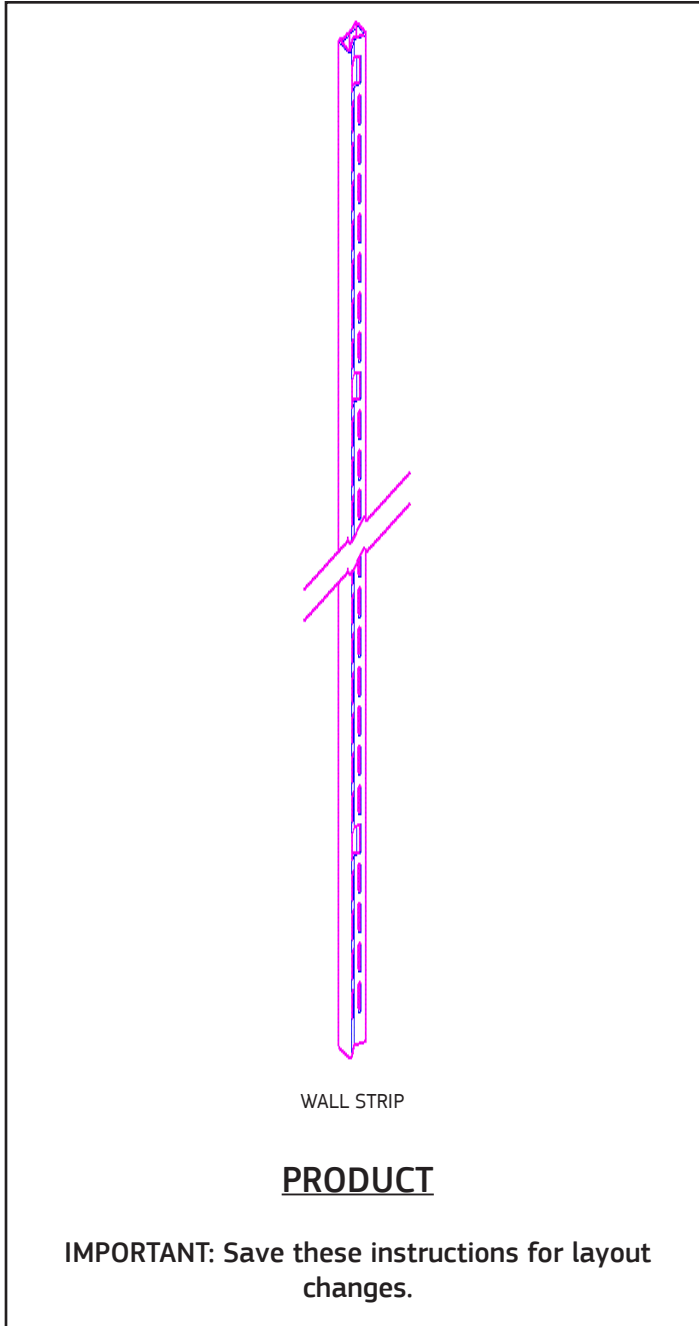
Wall Strip

Product Numbers

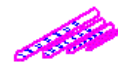
- WS60
- WS72
- WS84

Required Tools

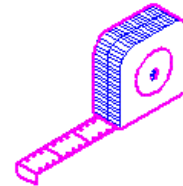
- Power Drill
- Drill Bits
- Tape Measure
- Carpenter's Level
- Chalk Line



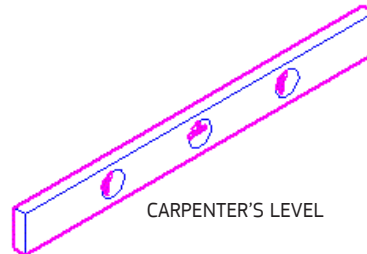
POWER DRILL



DRILL BITS



TAPE MEASURE



CARPENTER'S LEVEL



CHALK LINE

Wall Strip

PRE-INSTALLATION INFORMATION

NOTICE

The following information is critical to the safe and proper installation of Wall Strips. Read thoroughly before proceeding with installation.

DEFINITION OF A STRUCTURAL WALL

A structural wall is defined as a load bearing wall constructed of materials such as poured concrete, concrete block or composite board (dry wall) attached to metal or wood studs. The composite board (dry wall) must be a minimum of 5/8" thick. Wood and metal studs must be a nominal 2"x4" size or larger. Metal studs must be a "C" channel of 20 gauge thickness. The metal or wood studs must be on centers no greater than 24" apart, have a maximum height of 14 feet, and be restrained at floor and ceiling.

FASTENER SELECTION



! WARNING

It is the responsibility of the installer to select and install the proper fasteners. Symbiote does not assume liability for their use. Fasteners must be installed per the manufacturer's instructions.

A. FASTENERS FOR ATTACHING INTO DRY WALL

#10 pan head machine screw with toggle bolt or hollow wall fastener. Screw length must be determined by wall construction and thickness.

NOTE:

Symbiote recommends to use of Toggler brand 3/16"-24 Snaptoggle toggle bolt or equivalent for this application. These can be purchased locally. The fastener selected should have a minimum manufacturer-published tensile strength of 350 pounds when used with 5/8" thick dry wall.

B. FASTENERS FOR ATTACHING INTO CONCRETE

#10 pan head sheet metal screw and masonry anchor. Screw length must be determined by wall construction and thickness.

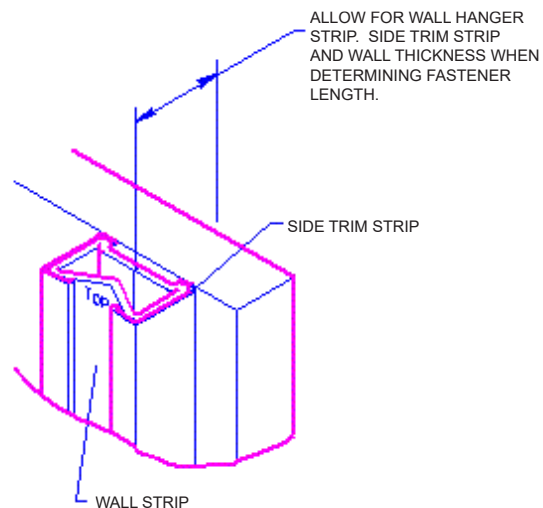
NOTE:

Select masonry anchor with a minimum manufacturer-published tensile strength of 350 pounds.

C. FASTENERS FOR ATTACHING INTO STUDS THROUGH DRY WALL

#10 pan head sheet metal screw. Screw length must be determined by wall construction and thickness.

NOTE: When hanging Wall Strips, Slide Trim Strip thickness must be considered when determining proper fastener length, as shown below.



Wall Strip

INSTALLATION PROCEDURE

! WARNING

Improper installation can cause product damage and personal injury. Wall strips **MUST** be attached to structural walls. SEE DEFINITION OF A STRUCTURAL WALL.

! WARNING

Under no condition may a wall strip be cut to a shorter length.

NOTICE

Mount wall strips on wood or metal studs where possible. Studs and walls **MUST** be fastened to building structure at ceiling and floor.

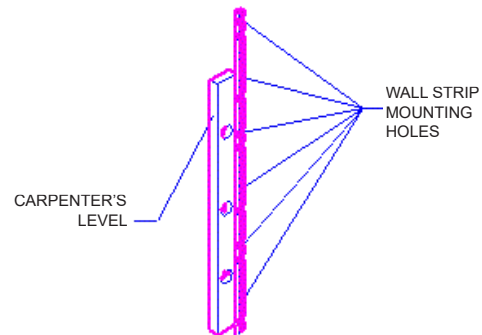
NOTICE

See the following section on Dimensional Considerations for product-specific location and spacing information.

1. Place first wall strip at required location with top end (marked "TOP") up and in keeping with "Dimensional Considerations" shown in following section.

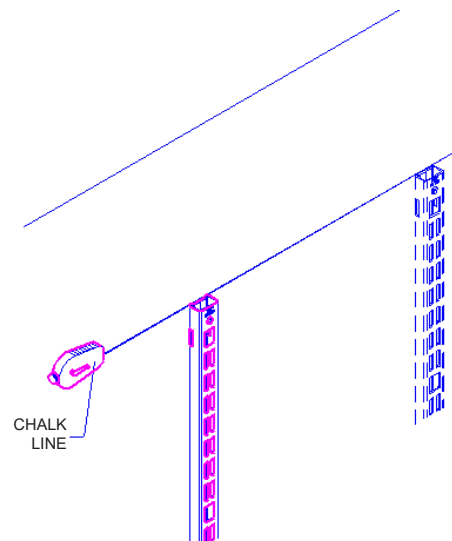
2. Mark first mounting hole through hole in wall strip and drill first mounting hole.

3. Attach wall strip to wall with fastener.

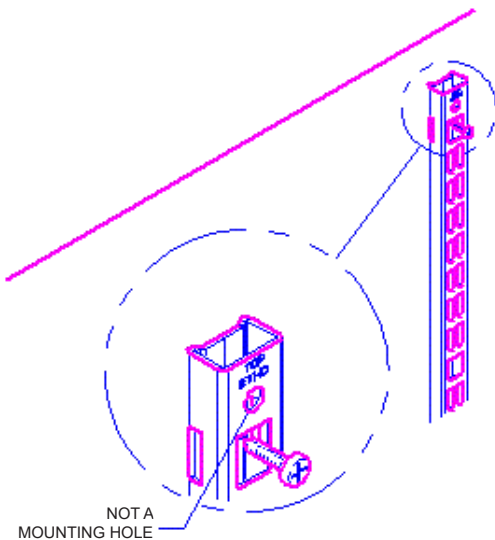


4. Using carpenter's level, position wall strip vertically. Mark hole locations every 8" through holes in wall strip.

5. Drill holes and attach wall strip to wall with fasteners.



6. Establish a level chalk line mark on the wall. Using chalk line mark as a guide, repeat steps 2-5 for each remaining wall strip. Make certain to mount each strip accurately according to modular dimensions (See "Dimensional Considerations")



Wall Strip

DIMENSIONAL CONSIDERATIONS

Wall strips should be mounted on studs whenever possible. All wall strips are required to be mounted on 24", 30", 36" or 48" centers, modular dimensions.

NOTE: Using spacers cut to 23", 29", 35", 41" or 47" (all with a tolerance of +1/32", -0") can simplify installation.

INTERIOR 90 DEGREE CORNER INSTALLATIONS

When an Interior Corner is involved, all wall strip installations should begin at Interior Corner, and be compliant with dimensions shown below.

