

## Hanging Pedestals

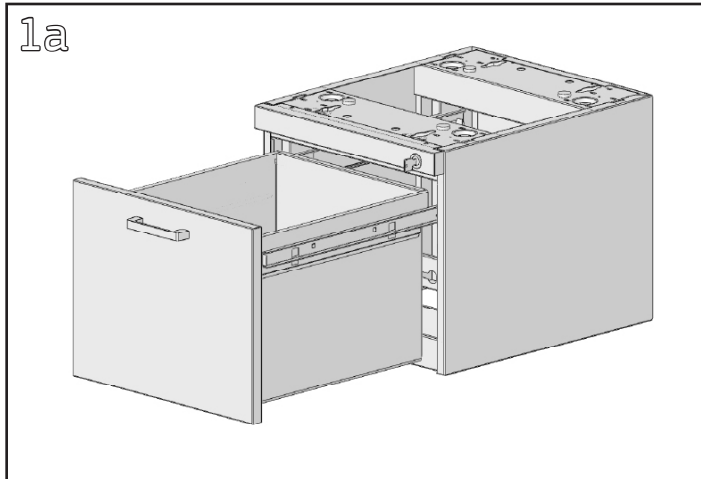
### Product Numbers

- PH6, PH66,
- PH12, PH1212
- PH612, PH6612
- PH666, PH6666

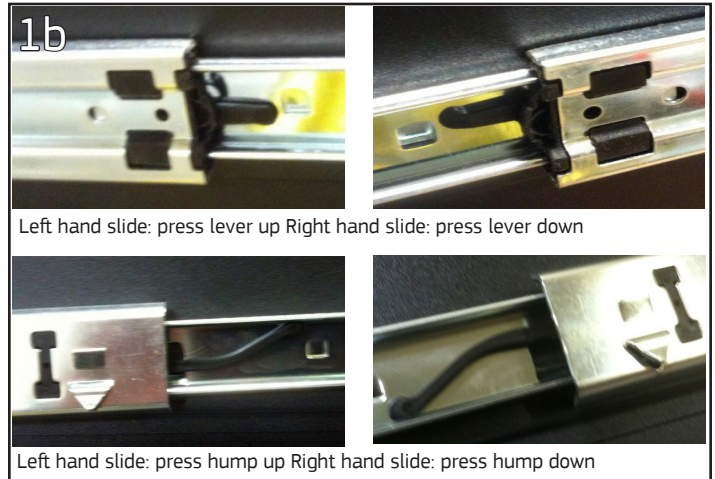
### Required Tools

- 3/8" Nut Driver

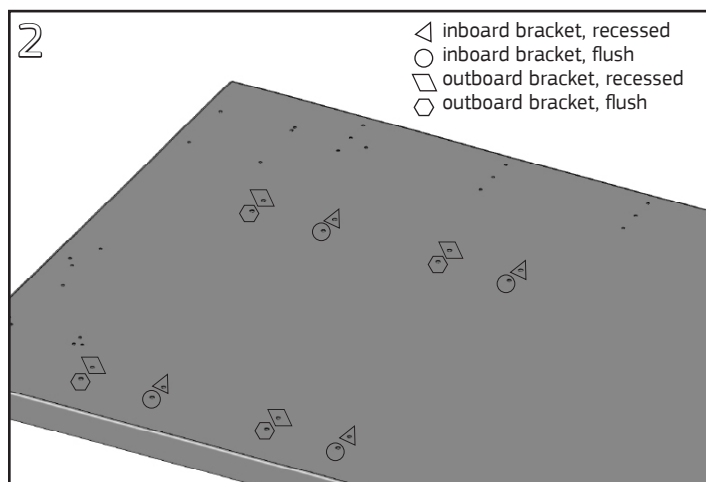
Hardware Pack: included in box



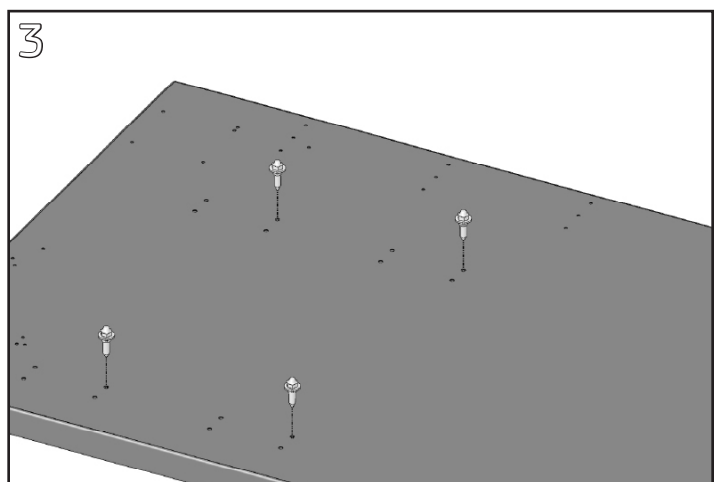
Remove the drawers from the pedestal by fully opening the drawers and then disconnecting the slide members.



6" box drawers (bottom row) have disconnect levers actuated by pressing the hump area. 12" drawers (top row) have a shorter straight lever. In both cases, the lever needs to be pushed up on the left-hand slide and down on the right-hand slide while pulling out on the drawer.

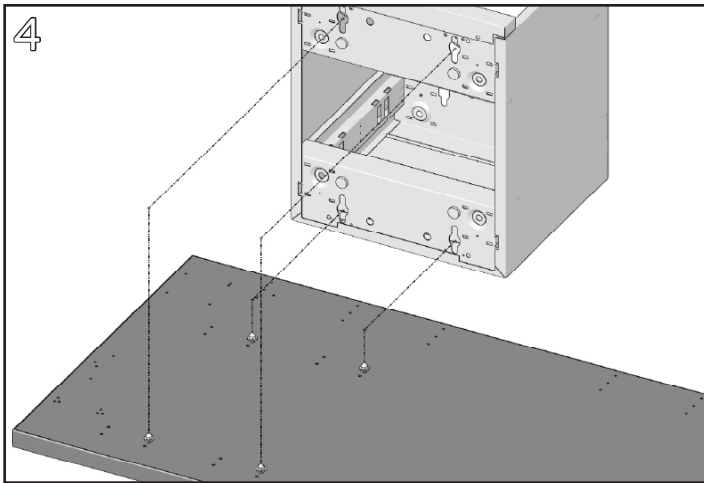


Determine left-right mounting position for pedestal based on location of the surface supporting bracket. The pedestal can also be positioned flush or recessed relative to the front edge of the surface.

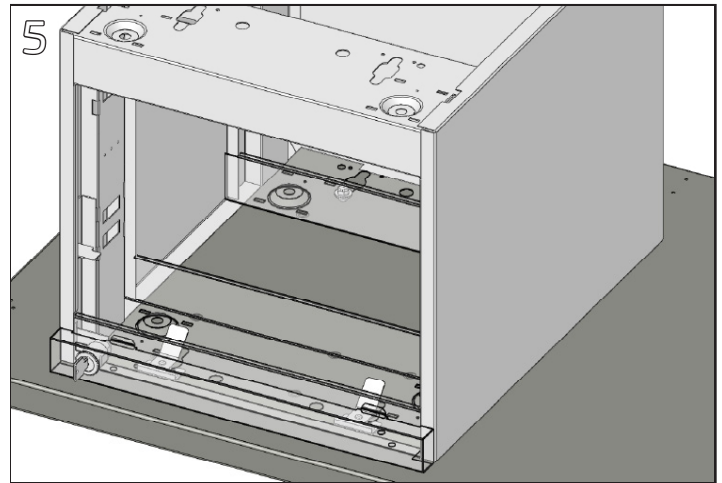


Install the attachment screws into the four pilot holes with a 3/8" nut driver.

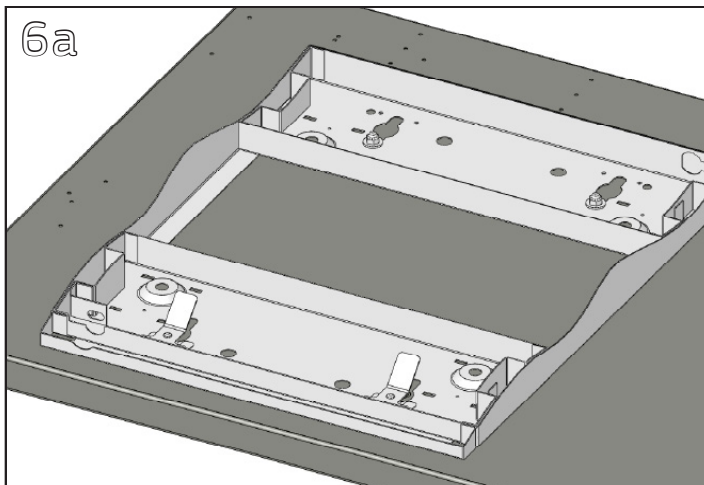
## Hanging Pedestals



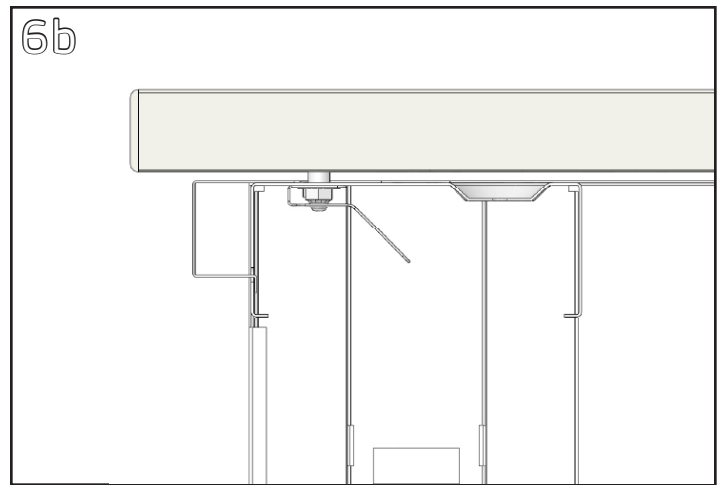
4  
With the pedestal upside down, position the large keyslot openings in the pedestal top over the attachment screws.



5  
Push the pedestal back until the attachment screws lock into the two spring clips located at the front of the pedestal.

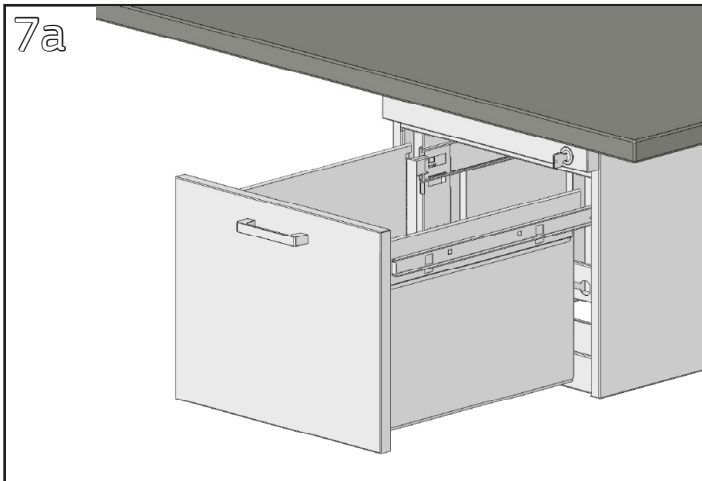


6a  
Assure that all four screws are securely engaged with the top of the pedestal as shown.



6b  
Return surface to an upright position and install as required.

## Hanging Pedestals



Use care to reinstall the drawer. Damage may occur to the slides, particularly the ball bearings, if the drawer is not installed properly. To properly reinstall the drawer, slide the ball bearing cartridges in the middle slide members of the pedestal to the front of each slide.



Align the ears on the back end of the inner drawer slide rails with the grooves in the middle slide member. Once aligned on both sides, push in the drawer until fully closed. There will be resistance while initially reinstalling and closing the drawer; this is normal.

Open and close the drawer several times. If the drawer does not open and close smoothly, the inner drawer slide rail may not have been fully lined up with the grooves and is not seated into the slide. In this case, remove the drawer by repeating step 1 and then reinstall the drawer.

**Note:** To release/remove the pedestal from the work surface, pull down on the spring clip until the spring clip is no longer securing the attachment screw. It will be necessary to remove the top drawer to access the spring clip. While pulling down the spring clip, pull the pedestal forward.

**WARNING:** When the pedestal is pulled forward, it will drop to the ground if otherwise unsecured! Assure the pedestal is supported from underneath to avoid injury or damage to the product.