

### Inside Corner Base Cabinet Filler

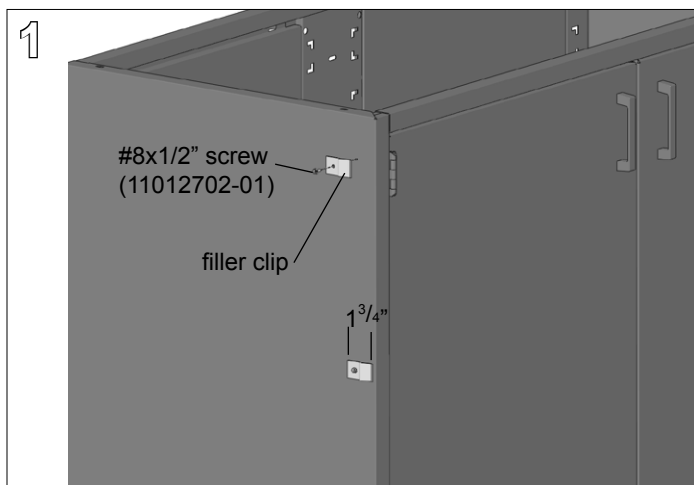
**Product Numbers**

- LUFB35Cxx

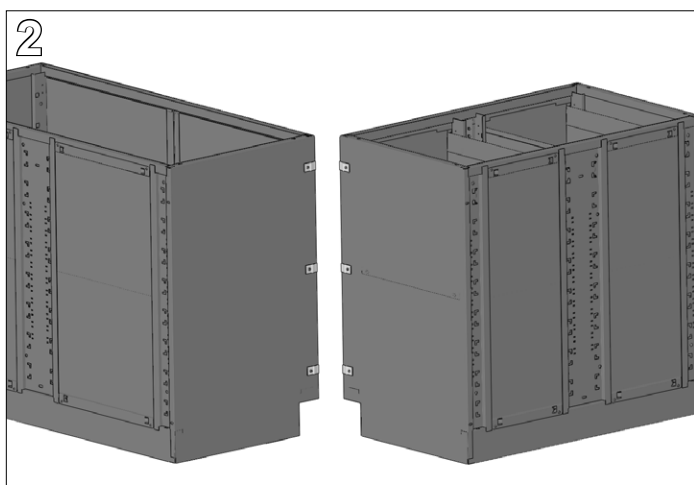
**Hardware Pack:** LUFBHP (p/n 09051335-01)

**Required Tools**

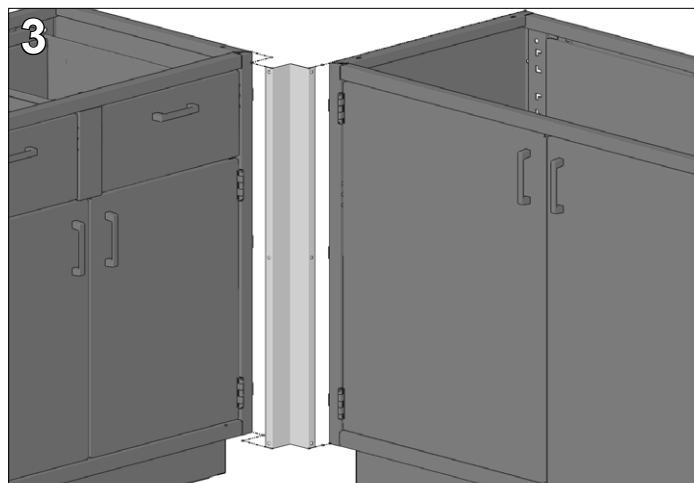
- 1/4" Drive Magnetic Socket with adapter
- Cordless Drill/Driver



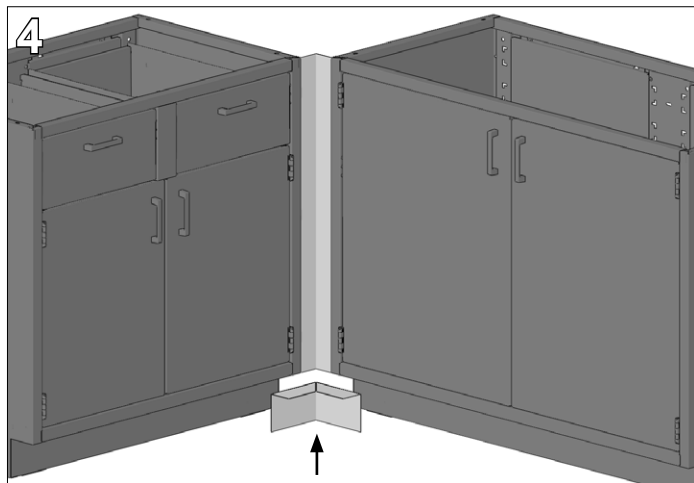
Using a **cordless drill with magnetic socket driver** and #8x1/2" hex washer head screws, install three filler clips vertically on the side face of the cabinet. The rear of the filler clip should have a setback of approximately 1-3/4". The cabinets are not predrilled for the clips.



Repeat process along the corner edge of the other cabinet.



Slide the corner filler into the filler clips. The filler is held in place with a friction fit only, no additional fasteners are needed.



Bend the toe space filler. The toes space filler is not provided with a means of attachment. It is suggested that it be placed in the corner space between the cabinets and adhered using either epoxy glue, pop rivets, or other fastening method.