

## Lab Cantilever Bracket

### Product Numbers

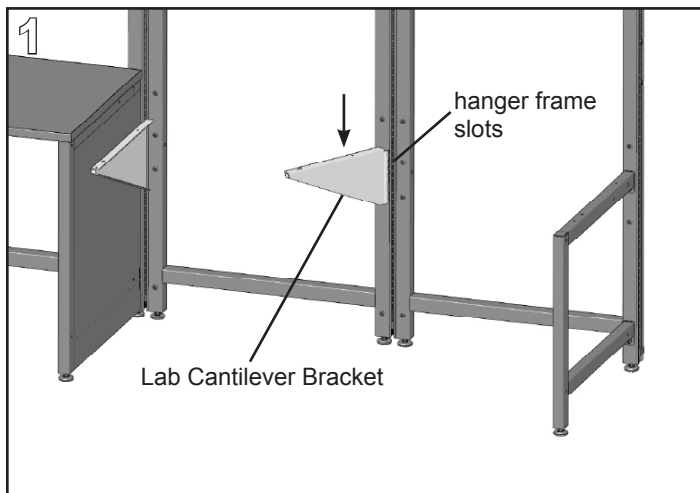
- LUSCxx

**Hardware Pack:** LUSCHP (p/n 09022009-01)

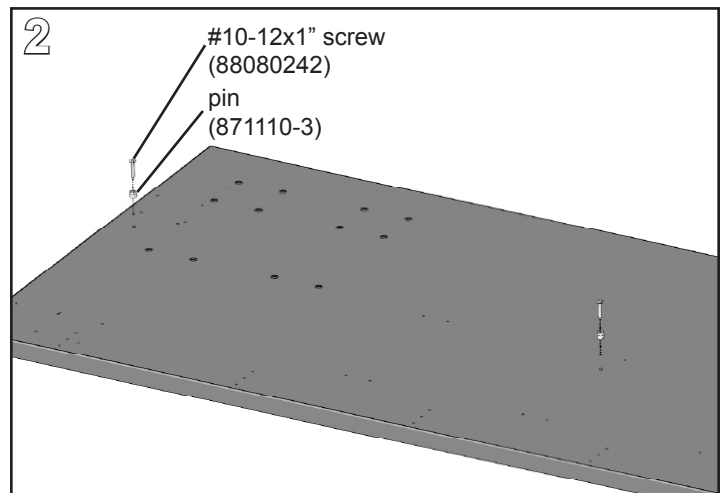
### Required Tools

- #2 Phillips Screwdriver and/or #2 Phillips Bit
- Cordless Drill/Driver

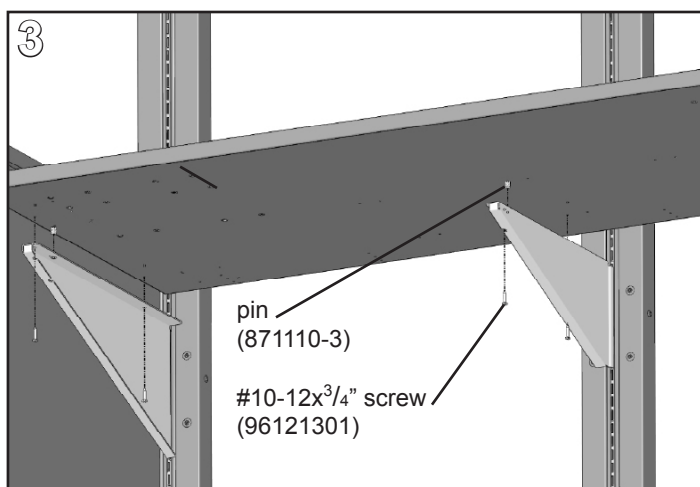
**WARNING:** Do not tighten #10-12 surface screws more than 25 in-lbs. in laminated surfaces or 40 in-lbs. in phenolic surfaces.



Rotate the Lab Cantilever Bracket at an angle inboard of the frame. Align with the hanger frame slots in the side of the frame at the appropriate height. Push the support down to securely seat in the slots. Surfaces 72" and wider require an additional support at the frame joint.



Flip the surface to be mounted to the bracket(s) upside down. Locate the hole(s) dimensioned above and install a pin at each bracket location with a #10-12x1" screw using a **cordless drill** and **#2 Phillips bit**. Install necessary hardware on the other end of surface based on the mounting method.



Flip surface and align pin with large diameter hole in the top face of the Lab Cantilever Bracket(s); rest the surface on the bracket. Install (2) #10-12x<sup>3</sup>/<sub>4</sub>" Phillips screws through each bracket into the surface, one in front of the pin and one near the back of the surface. Tighten fully with a **cordless drill** and **#2 Phillips bit**.

**SYMBIOTE**® Technical Furniture