

Lab Leg

Product Number

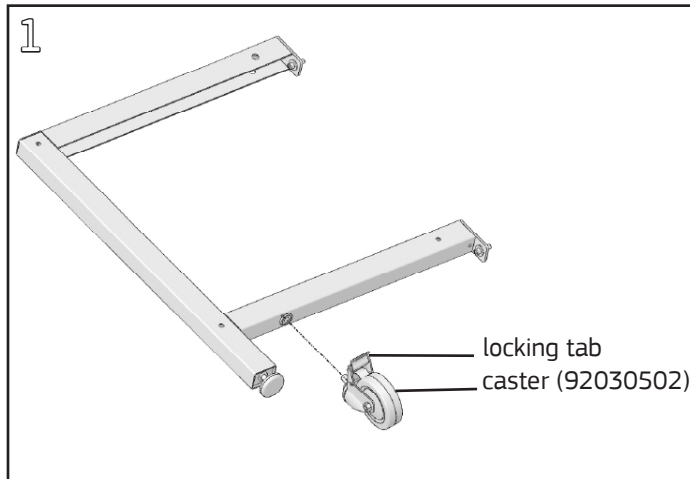
- LULLxxyyC
- LULLxxyyG

Required Tools

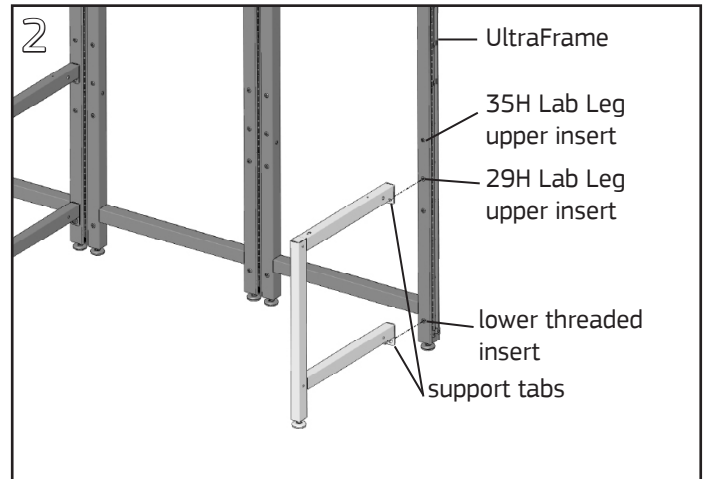
- ¼" Allen Wrench or ¼" Hex Bit
- Cordless Drill/Driver
- #2 Phillips Bit
- Tape Measure

Hardware Pack: LULLHP (p/n 09021208-01) for all, also CASTER56 (p/n 99010508) for caster style

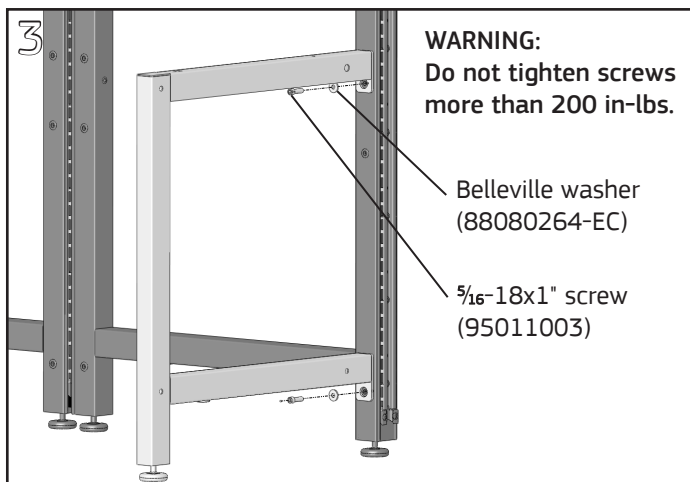
WARNING: Do not tighten #10-12 surface screws more than 25 in-lbs. in laminated surfaces or 40 in-lbs. in phenolic surfaces.



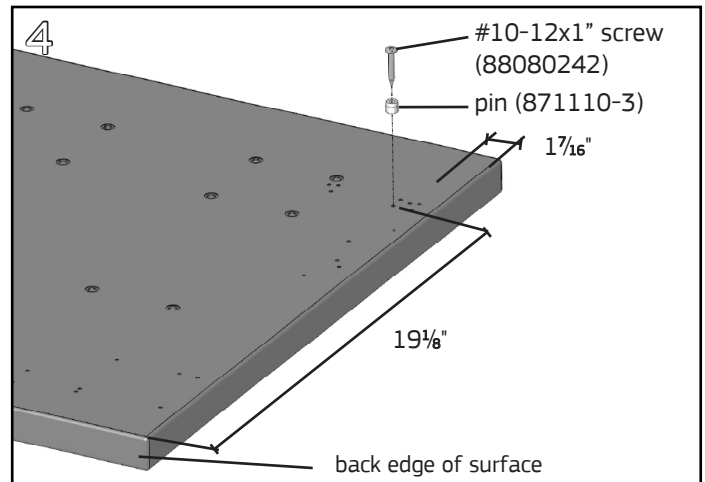
Leg with caster only - Locate the caster (shipped separately) and lock it by pressing the tab near the top of the wheel. Install the caster in the threaded hole in the bottom of the leg.



Align holes in the leg support tabs with the threaded inserts on the front or back face of an UltraFrame or Connector Post. The support tabs will mount flush against this vertical tube.



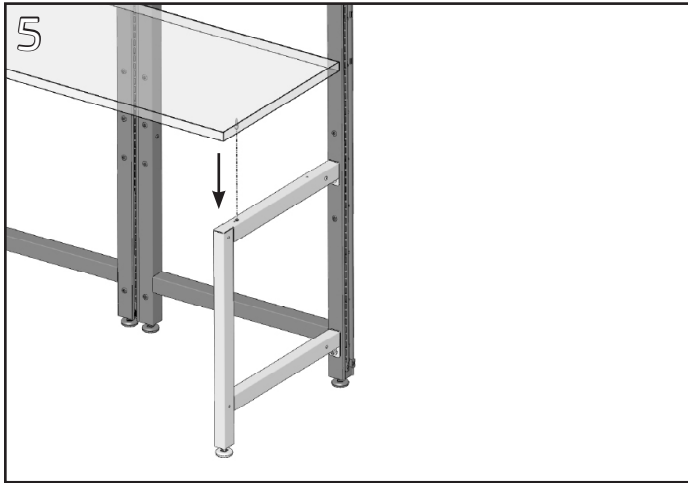
Fasten leg to frame/post with (2) Belleville washers, placed concave side against the tube, and (2) 5/16-18x1" cap screws using the ¼" Allen wrench/hex bit. For legs with a glide adjust the glide up or down until the leg is level.



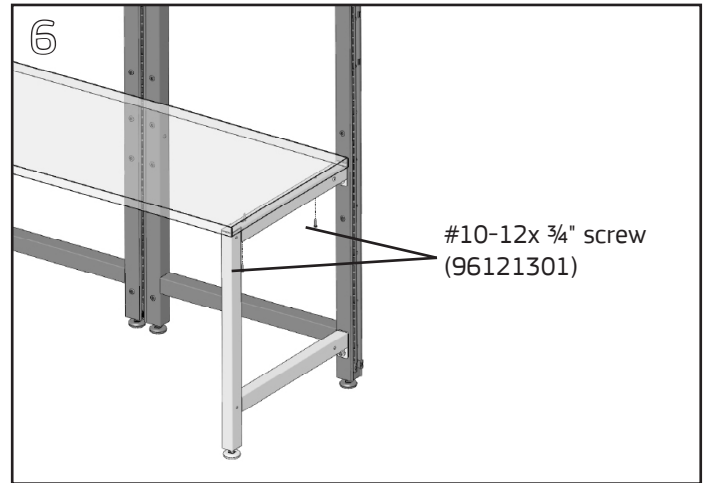
Surface installation (if applicable) - Flip surface upside down. Locate the hole dimensioned above and install a pin with a #10-12x1" screw using a cordless drill and #2 Phillips bit. Repeat on opposite end of surface if necessary.

Lab Leg

WARNING: Do not tighten #10-12 surface screws more than 25 in-lbs. in laminated surfaces or 40 in-lbs. in phenolic surfaces.



Flip surface and align pin with the large diameter hole in the top of the Lab Leg. Rest surface on Lab Leg.



Install (2) #10-12x³/₄" Phillips buttonhead screws through the top face of the Lab Leg into the surface, one in front of the pin and one near the back of the surface. Tighten fully with a **cordless drill** and a **#2 Phillips bit**.