

## WorkTops

### Product Numbers

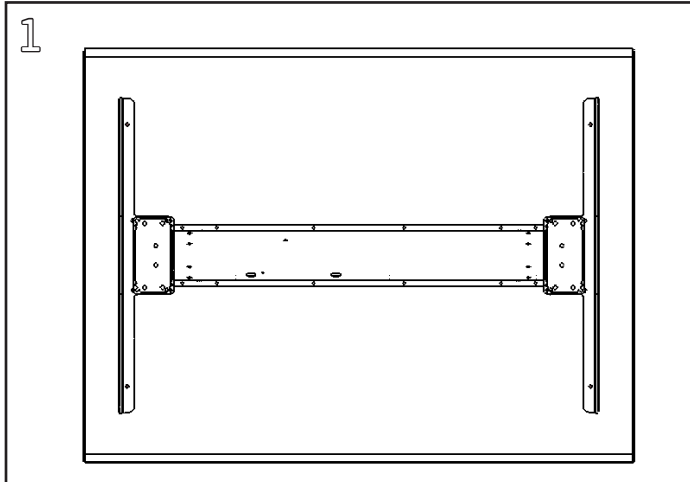
- WLR, WLT
- WDR, WDT
- WCR, WCT
- WMR

### Required Tools

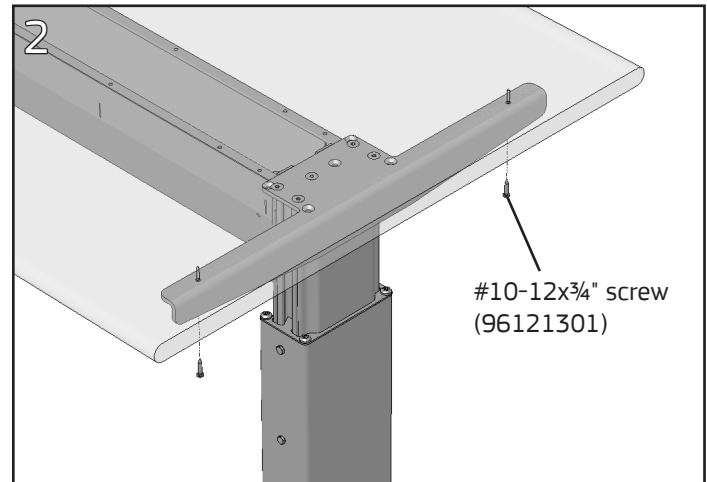
- #2 Phillips Bit with Driver or Screwdriver
- Tape measure

Hardware Pack: ESTBHP (p/n 93082503)

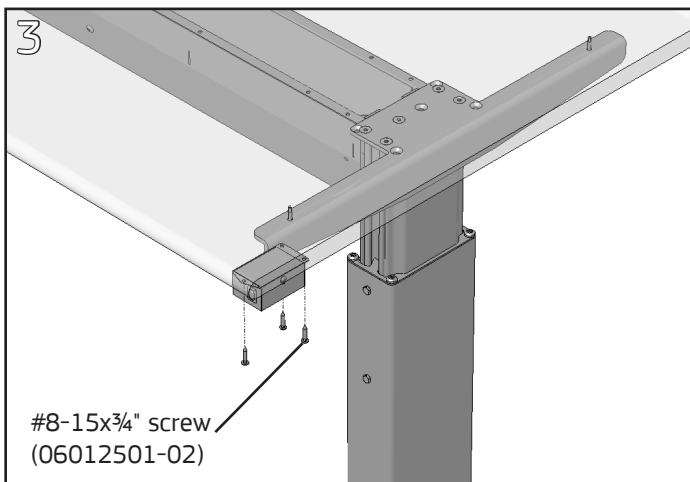
**WARNING:** Do not tighten the #10-12 surface screws more than 25 in-lbs. in laminated surfaces or 40 in-lbs. in phenolic surfaces.



With the WorkTop on the floor upside down, if possible, center the WorkTable horizontally and vertically over the surface. The dotted circles indicate the holes to be aligned in the bracket and the surface for installing fasteners.



Insert (2) #10-12x $\frac{3}{4}$ " pan head screws into the bracket holes and tighten with a #2 Phillips Bit or screwdriver. Repeat on opposite bracket.



ELECTRIC BASES ONLY - WorkTops do not have predrilled holes for the control box. Position control box at the desired location on the underside of the WorkTop and fasten with (3) #8-15x $\frac{3}{4}$ " Phillips pan head screws.