

ErgoStat Riser Frame End Cover

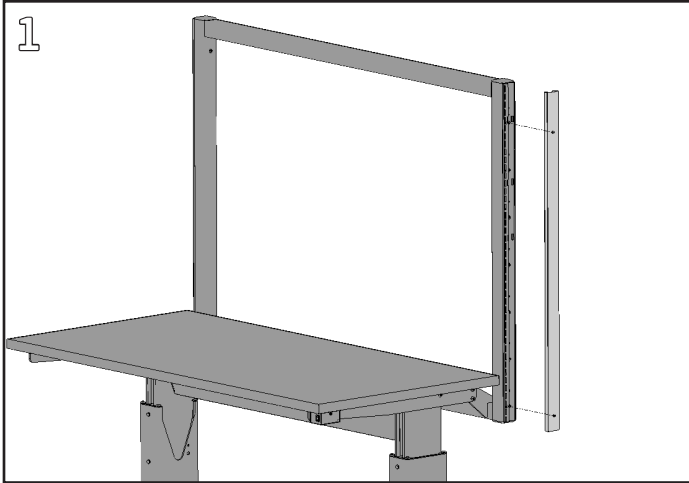
Product Numbers

- RFC43

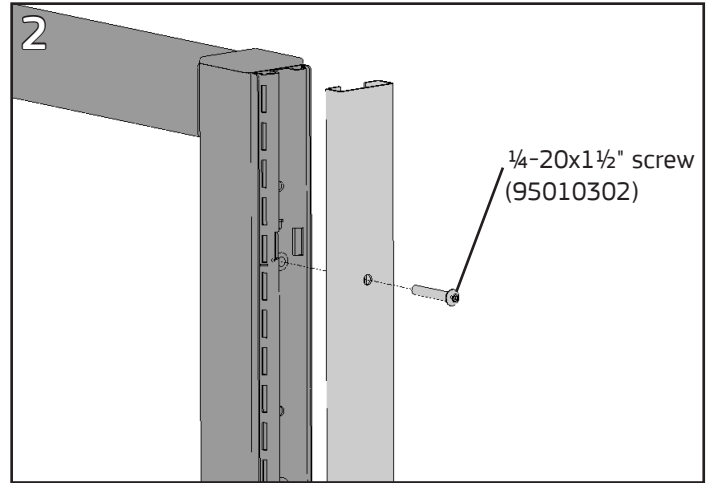
Hardware Pack: RFECHP (p/n 96031401)

Required Tools

- $\frac{3}{16}$ " Allen Wrench or $\frac{3}{16}$ " Hex Bit with Driver



Align holes in end cover with top and bottom threaded inserts in the end of the Riser Frame. Note: the cover is not symmetrical; the end of the cover with the hole closer to the edge is the bottom.



Insert $\frac{1}{4}$ -20x1 $\frac{1}{2}$ " button head screw through top end cover hole and tighten with $\frac{3}{16}$ " Allen wrench/ hex bit. Repeat at bottom end cover hole location.