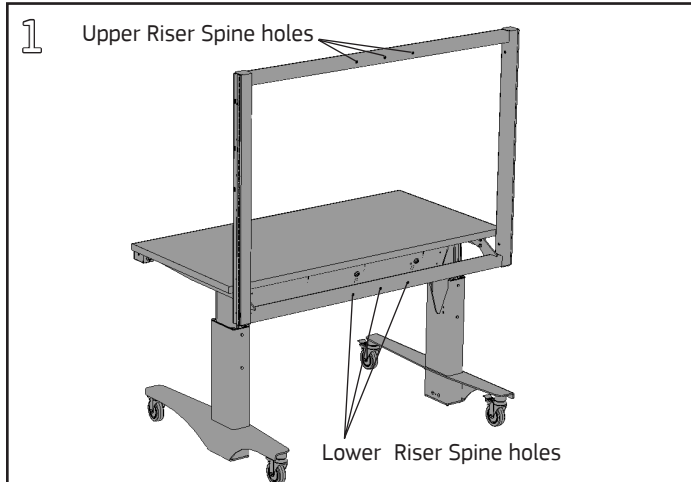


## ErgoStat Riser Spine

### Product Numbers

- RS43BK

Hardware Pack: RSHP (p/n 94090801)

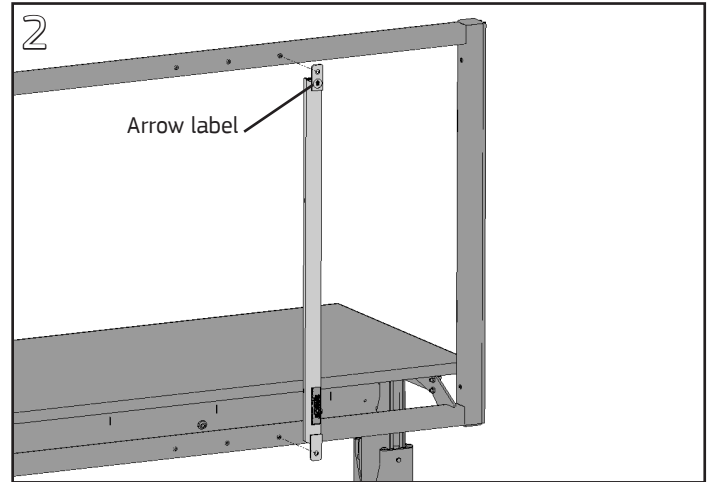


Locate the Riser Spine mounting holes on the back of the Riser Frame. Determine what size components will be mounted on the front of the Riser Frame. Allowable frame divisions are as follows:

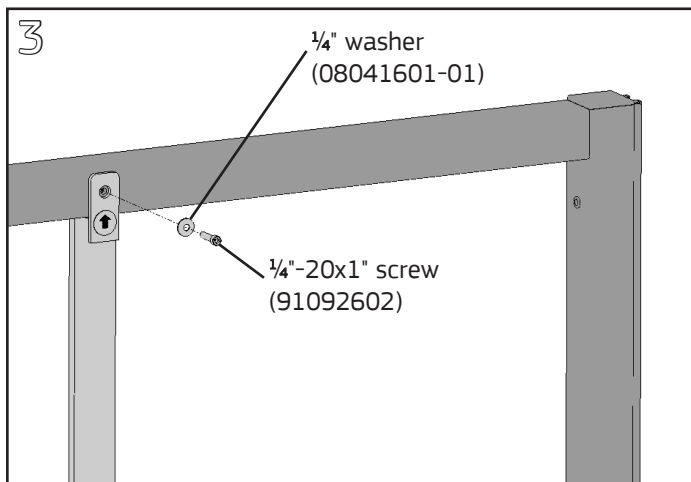
Riser Frame Width	# of Riser Spine Holes	Combinations Riser Frame Cannot Be Used
36"	0	24"/24"
48"	2	30"/30", 36"/24"
60"	6	36"/36", 24"/24"/24", 48"/24"
72"	6	24" increments, max 4 sections
96"	6	

### Required Tools

- 3/16" Allen Wrench or 3/16" Hex Bit with Driver



Orienting the Riser Spine with the arrow label at the top and the Symbiote label at the bottom, align the holes in the Riser Spine tabs with the upper and lower holes in the Riser Frame at the appropriate position.



Fasten spine to frame at upper spine hole with (1) 1/4" ID flat washer and (1) 1/4"-20x1" cap screw using a 3/16" Allen wrench/hex bit. Repeat at lower spine hole location. Rotate the Riser Frame toward the back of the ErgoStat so that the back of the Riser Frame blades rest on the bottom top support screws.