

ErgoStat Riser Frame

Product Numbers

- RF43xx

Hardware Pack: RFHP (p/n 94072715)

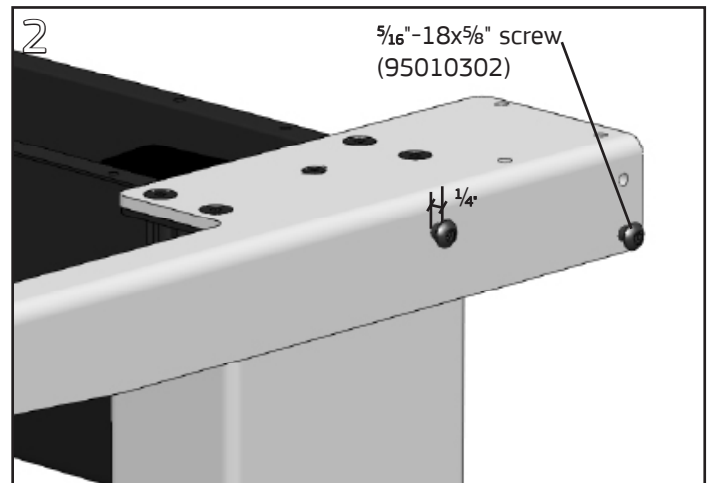
WARNING: Do not hang components from the unsupported side of a frame or panel.

Required Tools

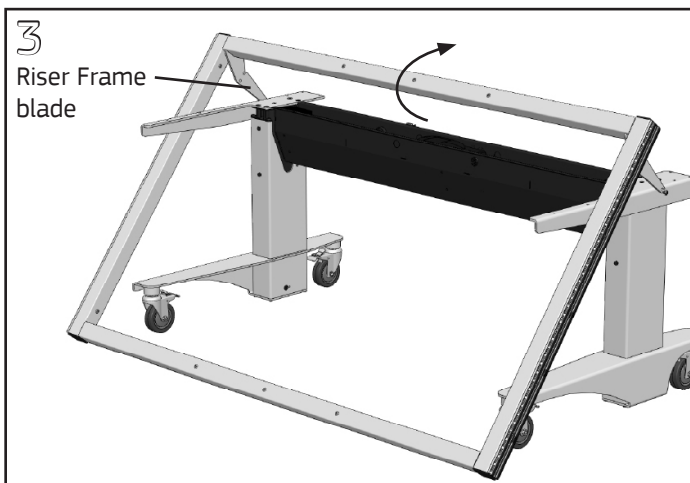
- $\frac{3}{16}$ " Allen Wrench



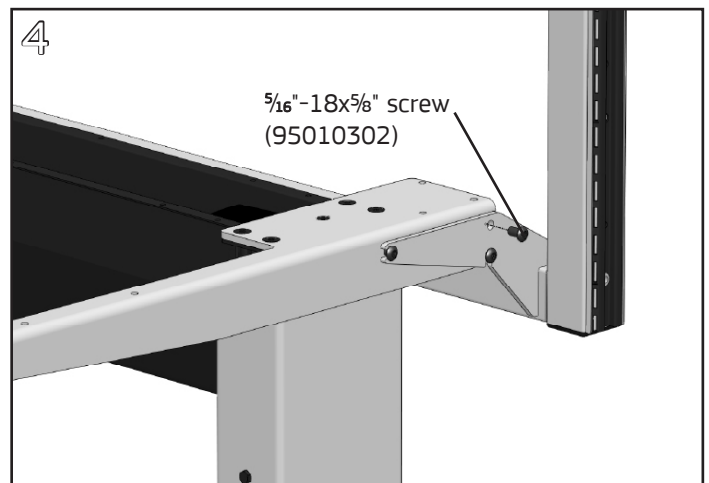
Lower the ErgoStat base to its lowest position.



Install two $\frac{5}{16}$ "-18x $\frac{5}{8}$ " socket button head screws in each top support as shown (one in the front tapped hole and one in the bottom tapped hole). Leave at least a $\frac{1}{4}$ " gap between the side of the support bracket and underside of the screw head.



Rest the top tube of the Riser Frame on the floor and center the Riser Frame over the width of the ErgoStat with the Riser Frame blades outside the top supports. Engage the notches in the tip of the Riser Frame Blades in the front top support screws.



Install a $\frac{5}{16}$ "-18x $\frac{5}{8}$ " socket button head screw into the top rear hole of each Riser Frame blade. Tighten all screws securely with a $\frac{3}{16}$ " Allen wrench.