

Roll-Out Shelf, Medium Duty

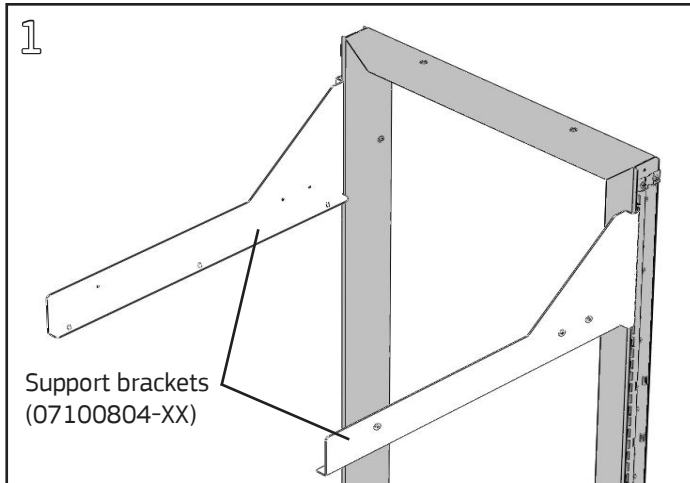
Product Numbers

- RSM2424
- RSM2430

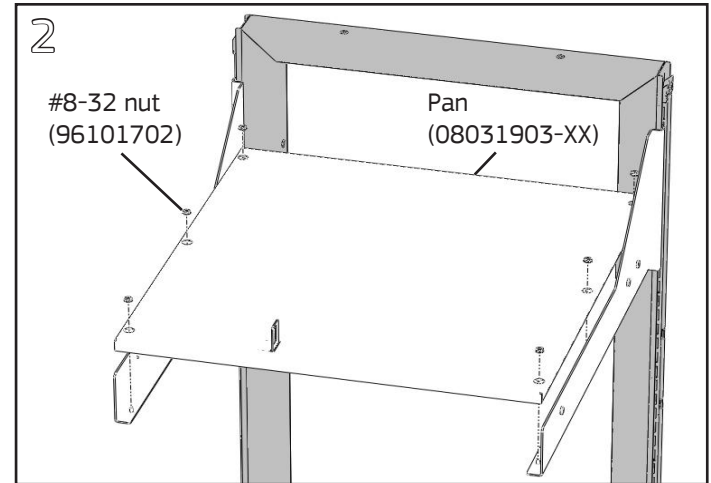
Required Tools

- 11/32 nut driver
- #2 Phillips Screwdriver

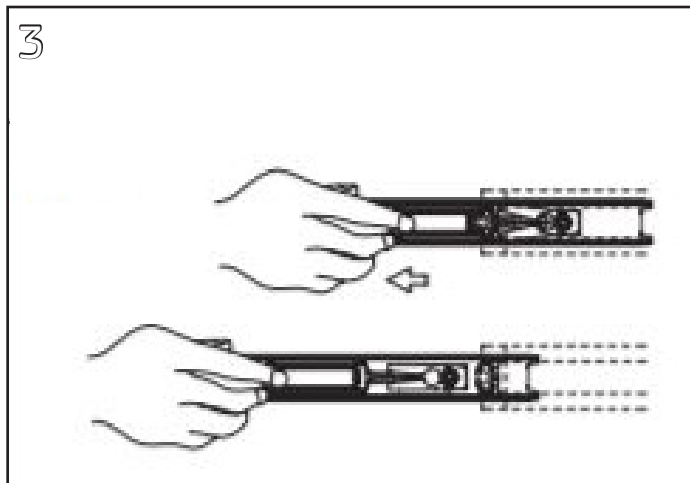
Hardware Pack: RSMHP (p/n 08022802-01)



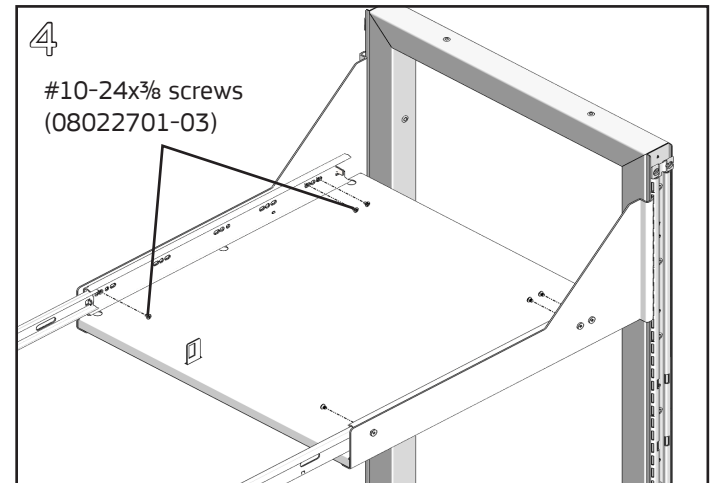
Install two support brackets at the same height, one on the left and one on the right of the front face of the frame.



Place pan on support brackets aligning holes in pan with the threaded studs on the brackets. After pan is in place, start all (6) nuts by hand and tighten with 11/32 nut driver.

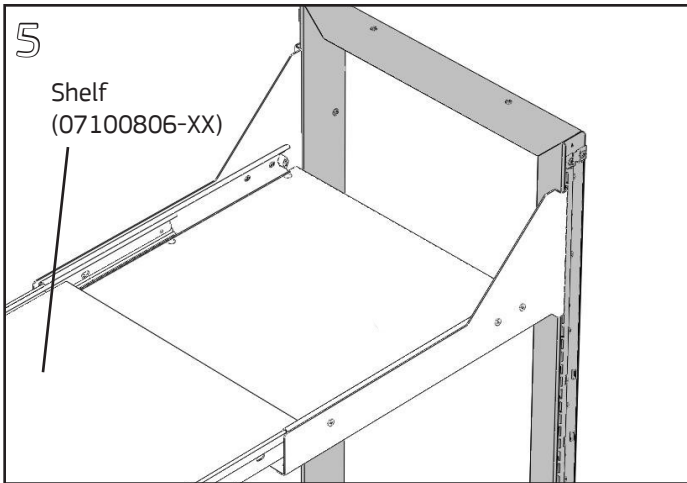


Remove outer slide from shelf. To remove slide, extend slide, pull black release tab, and pull inner and outer slides apart.



Fully extend outer shelf brackets. Align holes in slides with weldnuts on brackets. Insert #10-24x³/₈ flathead screws (3 per side) using a #2 Phillips screwdriver. Completely tighten screws.

Roll-Out Shelf, Medium Duty



Lift rear of shelf over latch tab and align inner and outer slides. Push shelf back (toward frame) to engage slides.