

## Magnetic White Board, ErgoStat Riser Frame Mount

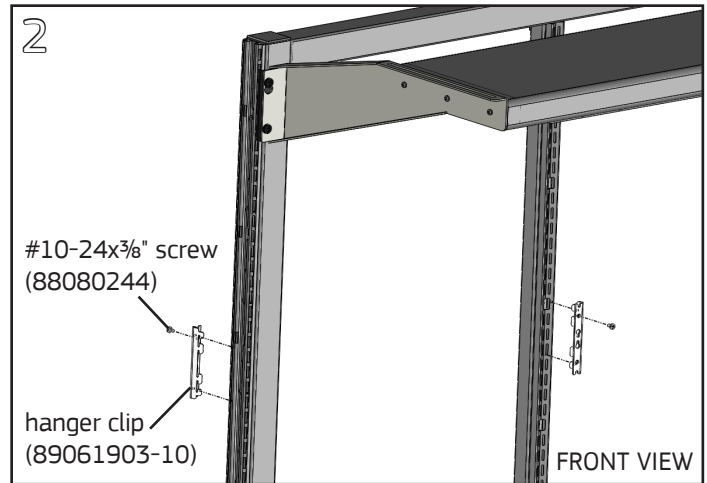
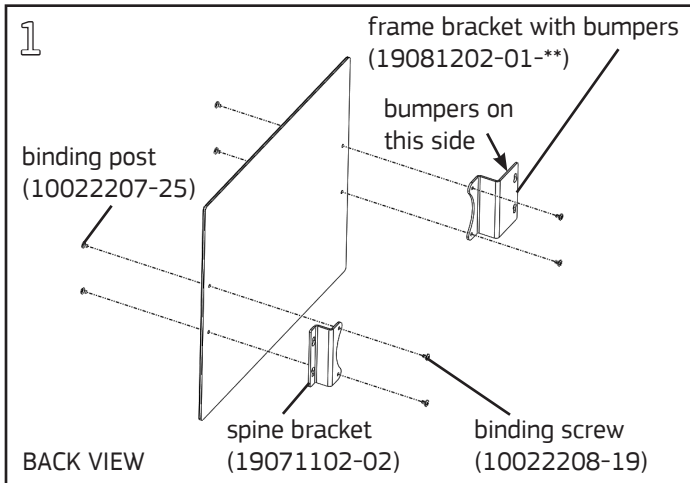
### Product Numbers

- MBE18xx

Hardware Pack: MBEHP\*\* (p/n 15011701-03-\*\*) MBTHP\*\* (p/n 15011702-01-\*\*)

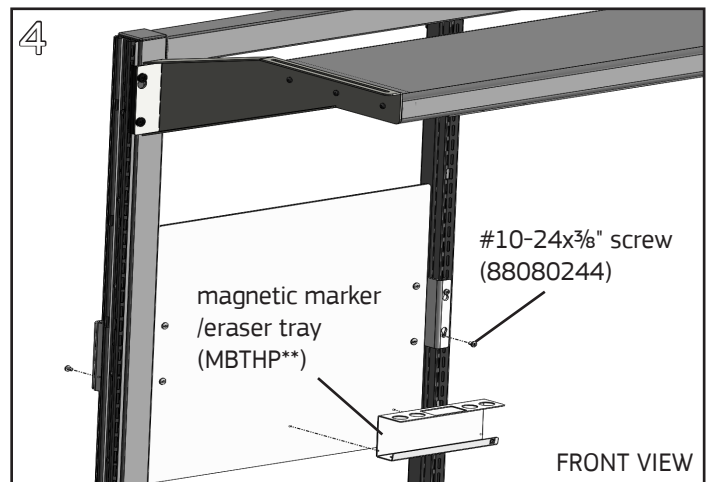
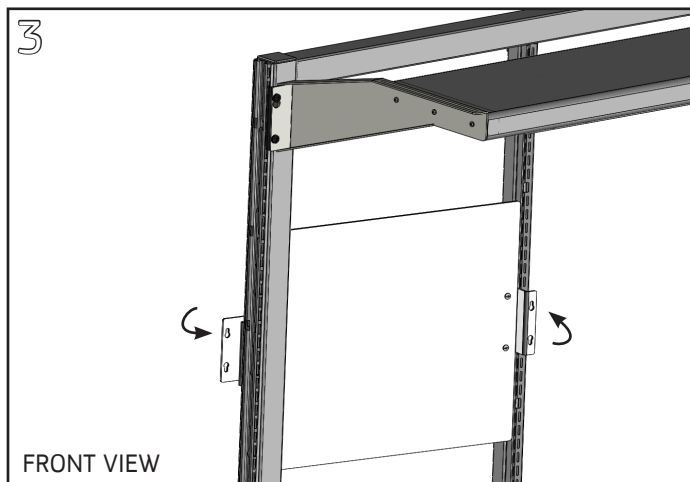
### Required Tools

- #2 Phillips Screwdriver
- ¼" Flat-Blade Screwdriver
- Tape Measure



Attach brackets to holes in white board using (2) binder posts and #8-32x<sup>3</sup>/<sub>16</sub>" binder screws per bracket using a #2 Phillips screwdriver and a ¼" flat-blade screwdriver. Mount the shorter spine bracket on the Riser Spine side, and the longer frame bracket on the Riser Frame side. Note: polyurethane mounting bumpers on Riser Frame bracket should face toward the front of the white board. Left-hand Center mounting on Riser Frame is illustrated.

Insert a hanger clip on the back of the Riser Frame and the front of the Riser Spine at the same heights. Install one #10-24x<sup>3</sup>/<sub>8</sub>" Phillips pan head screw into the top threaded hole of each hanger clip using a #2 Phillips screwdriver, leaving leaving a 1/8" gap between head of screw and clip face.



Rotate white board and insert in Riser Frame opening. Align screw heads in hanger clip with round center hole in each bracket and slide board down so top of keyslots rest on top screws. Install one #10-24x<sup>3</sup>/<sub>8</sub>" Phillips pan head screw into bottom hole on each hanger clip. Tighten all screws.

Add magnetic marker/eraser holder to white board surface, as desired.