

## Magnetic White Board, Panel Mount

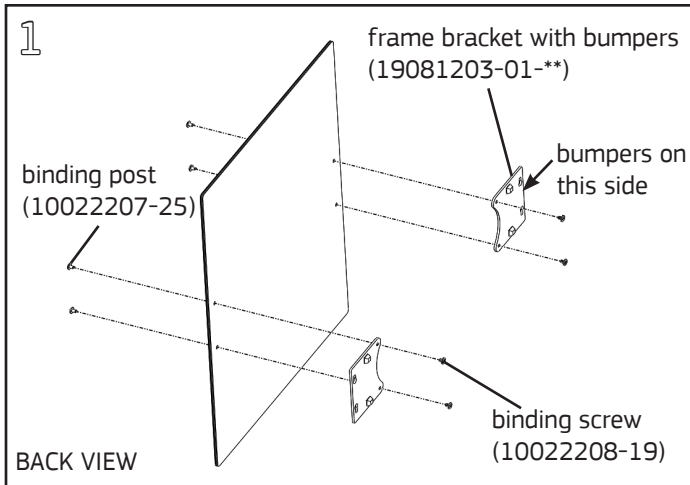
### Product Numbers

- MBS24xx

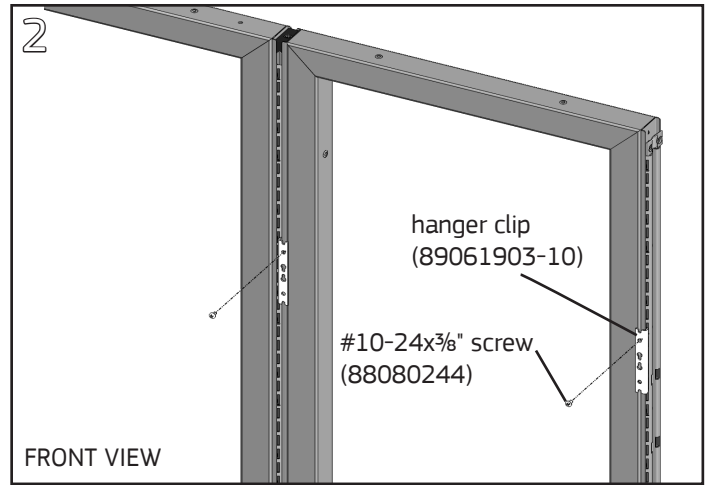
Hardware Pack: MBSHP\*\* (p/n 15011701-01-\*\*)   
 MBTHP\*\* (p/n 15011702-01-\*\*)

### Required Tools

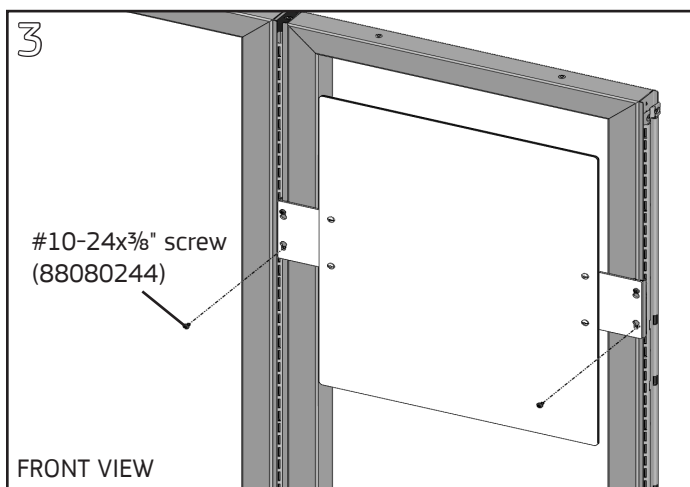
- #2 Phillips Screwdriver
- 1/4" Flat-Blade Screwdriver
- Tape Measure



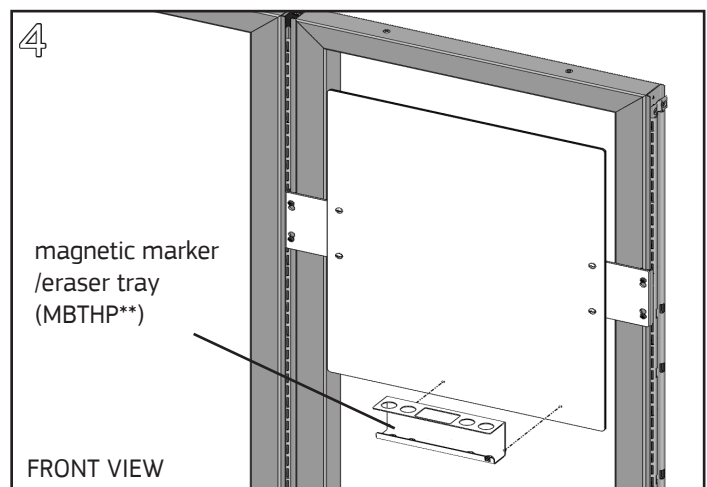
Attach brackets to holes in white board using (2) binder posts and #8-32x3/16" binder screws per bracket using a #2 Phillips screwdriver and a 1/4" flat-blade screwdriver. Note: polyurethane mounting bumpers should face away from white board.



Insert a hanger clip on each side of the UltraFrame at the same heights. Install one #10-24x3/8" Phillips pan head screw into the top hold of each hanger clip using a #2 Phillips screwdriver, leaving leaving a 1/8" gap between head of screw and clip face.



Align screw heads in hanger clips with round center hole in each bracket and slide board down so top of keyslots rest on top screws. Install one #10-24x3/8" Phillips pan head screw into bottom hole on each hanger clip. Tighten all screws.



Add magnetic marker/ eraser holder to white board surface, as desired.