

Flat Screen Arm, Center-Mount

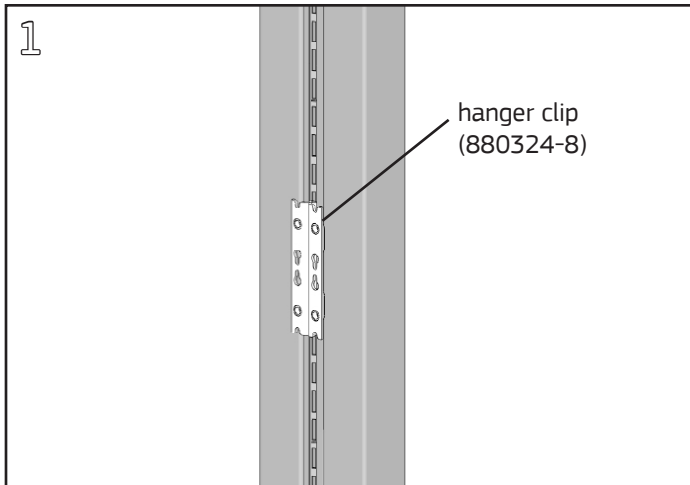
Product Numbers

- FSC1DMBK
- FSC1SMBK

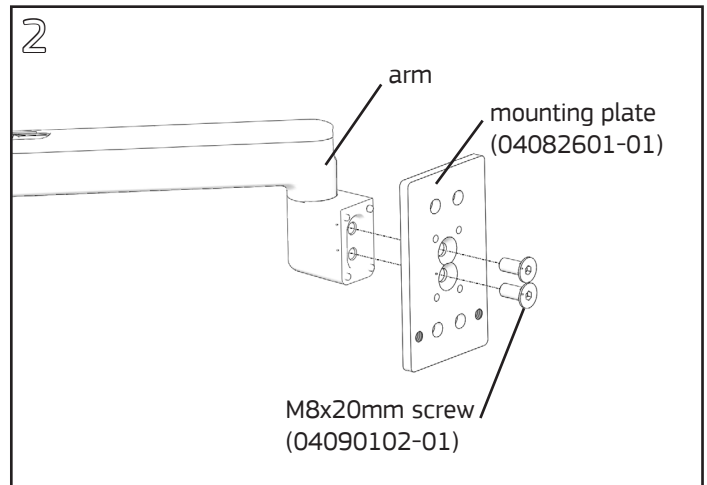
Hardware Pack: FSCHP (p/n 04111206-01)

Required Tools

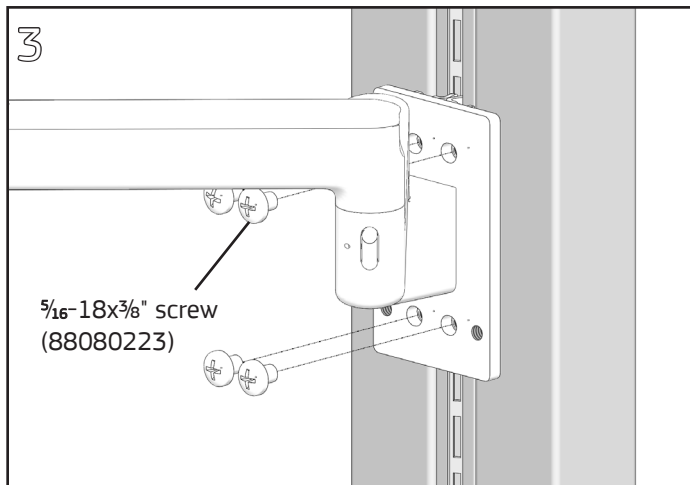
- Hex Key Kit included with arm
- #2 Phillips Screwdriver
- #4 Phillips Screwdriver



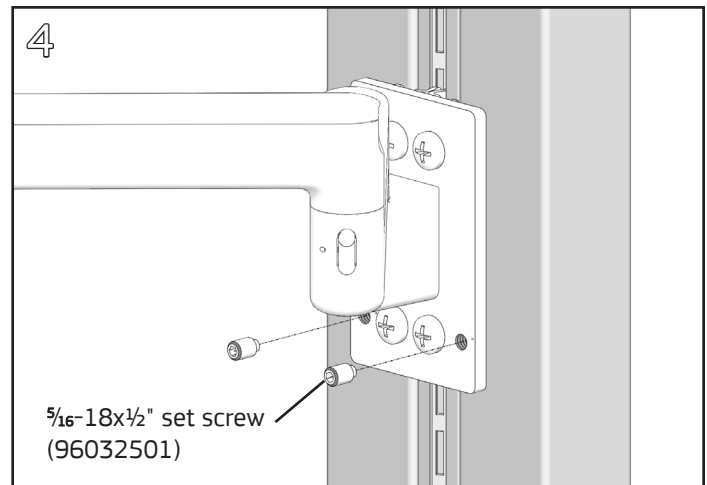
Install two hanger clips at the same height at the frame joint. Ensure clips are firmly seated in the slots.



Fasten arm to mounting plate with (2) M8x20mm flathead socket drive screws using a **5mm Allen wrench**.



Align the four slots in the mounting plate with the threaded holes in the hanger clips. Fasten with (4) $\frac{5}{16}$ -18x $\frac{3}{8}$ " Phillips pan head screws using a **#4 Phillips screwdriver**.



Install a $\frac{5}{16}$ -18x $\frac{1}{2}$ " set screw on each side of the mounting plate. Tighten with a **4mm Allen wrench** until the set screw tips push against the UltraFrame.

NOTE: Reference additional instructions included in box containing the flat screen arm for monitor mounting and arm rotation options.