

## Flat Screen Arm, Saddle-Mount

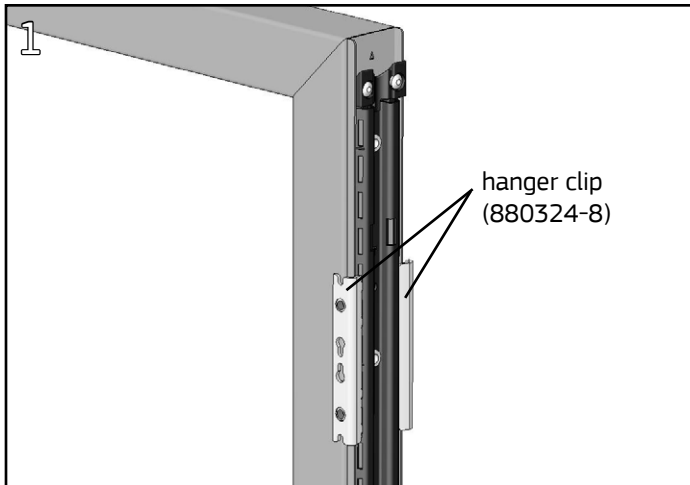
### Product Numbers

- FSU1DMBK
- FSU1SMBK

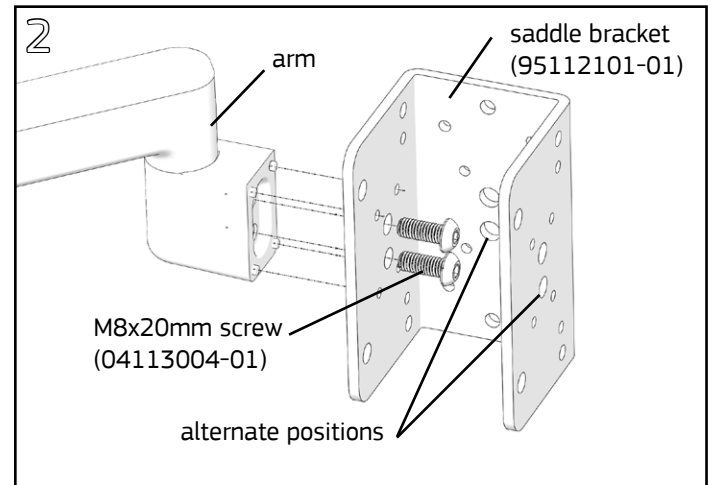
Hardware Pack: FSUHP (p/n 04113002-01)

### Required Tools

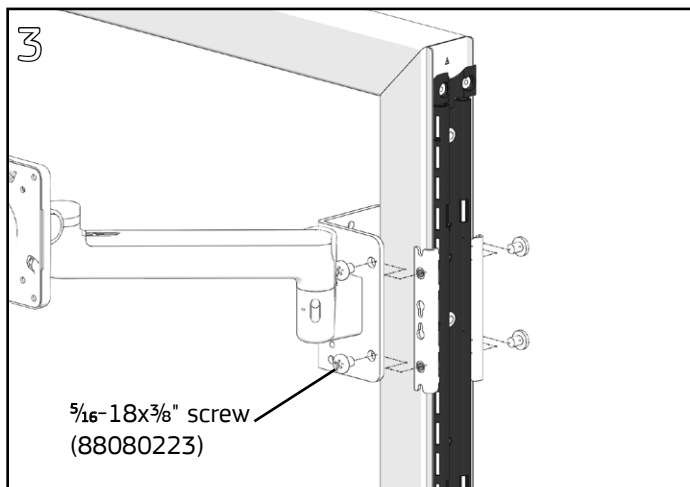
- Hex Key Kit included with arm
- #2 Phillips Screwdriver
- #4 Phillips Screwdriver



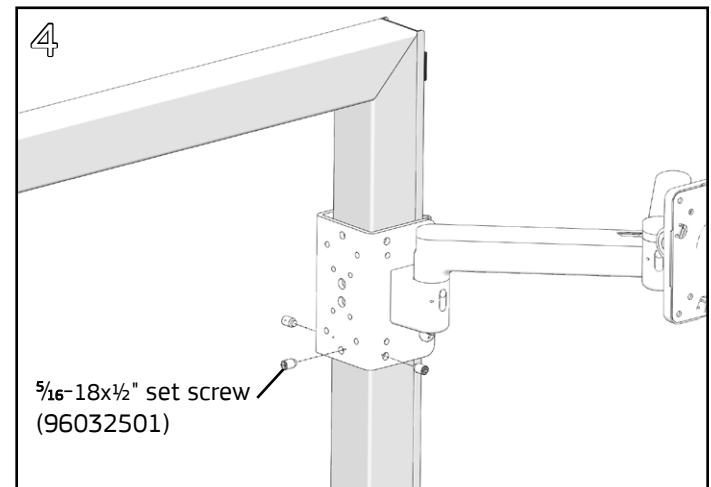
Install two hanger clips at the same height, one on the front and the other on the back of the hanger frame.



Select one of the three arm positions on the saddle bracket. Fasten arm to bracket using (2) M8x20mm socket drive screws using a 6mm Allen wrench.



Slide the saddle bracket over the clips. Fasten saddle bracket to the weldnuts in the hanger clips with (4)  $\frac{5}{16}$ -18x $\frac{3}{8}$ " Phillips pan head screws using a #4 Phillips screwdriver.



Insert (3)  $\frac{5}{16}$ -18x $\frac{1}{2}$ " set screws into the lower tapped holes of the saddle bracket on the front, back and inside faces. Tighten against the UltraFrame tube using a 4mm Allen wrench.

**NOTE:** Reference additional instructions included in box containing the flat screen arm for monitor mounting and arm rotation options.