

## Uniclip

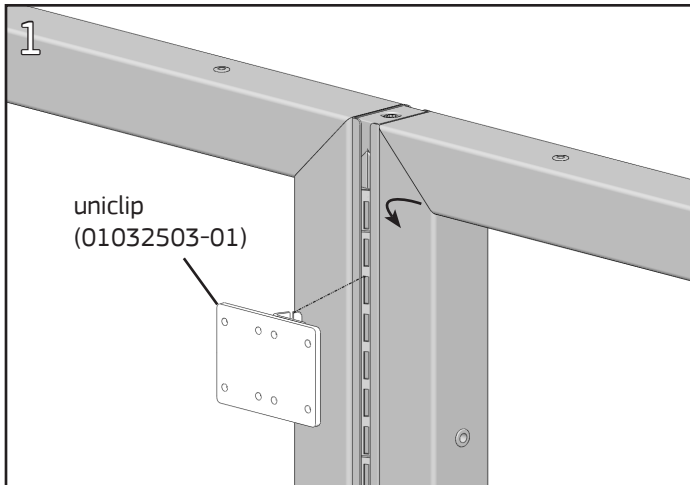
### Product Numbers

- UCP

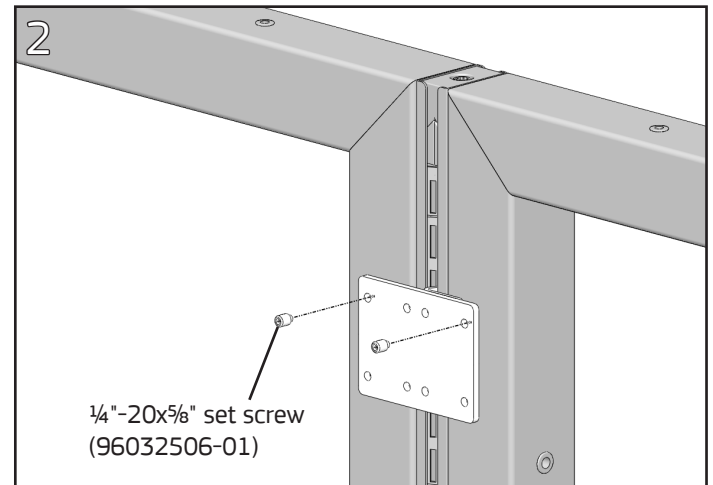
Hardware Pack: UCPHP (p/n 01032507-02)

### Required Tools

- $\frac{1}{8}$ " Allen Wrench



Install Uniclip into one side of the hanger frame joint at the desired height. Ensure that the clip is firmly seated in the slots.



Install a  $\frac{1}{4}$ "-20x $\frac{5}{8}$ " set screw on both the left and right side of the clip, in either the upper or lower tapped holes. Tighten with a  $\frac{1}{8}$ " Allen wrench until the clip is parallel with the face of the UltraFrame. Mount components to clip as needed.