

## Utility Mounting Brackets

### Product Numbers

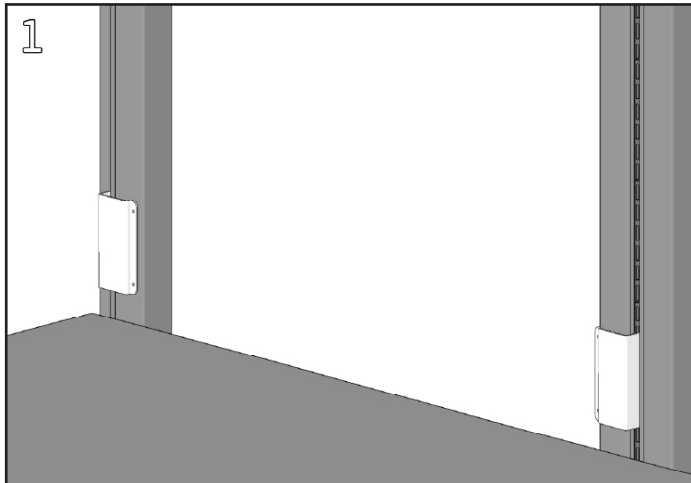
- UMBBK

Hardware Pack: UMBHP (p/n 00050305)

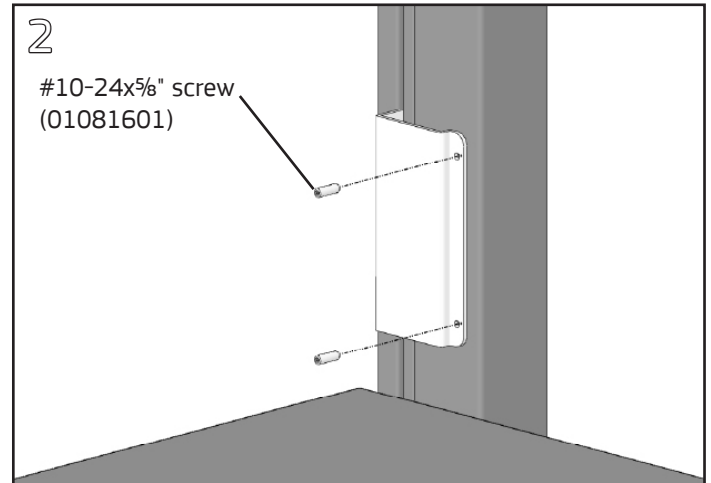
### Required Tools

- $\frac{3}{32}$ " Allen Wrench

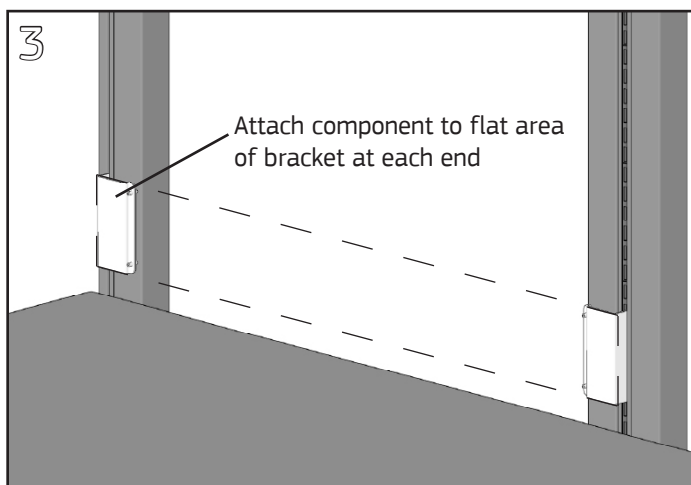
### Horizontal Frame Mounting Option



At the required mounting height, install the bracket on the left and right sides of the frame. Ensure the brackets are securely seated in the hanger frame slots.



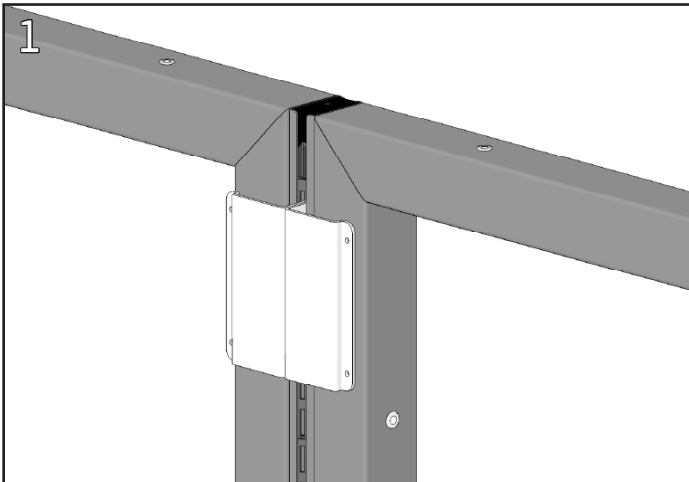
Install two #10-24x $\frac{5}{8}$ " set screws into the tapped holes on each bracket. Tighten each set of screws with a  $\frac{3}{32}$ " **Allen wrench** until the bracket is parallel to the front of the frame.



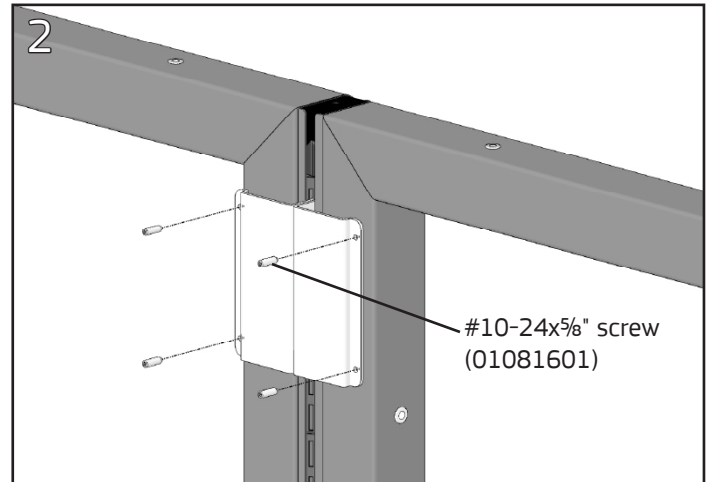
Mount component to the flat surface of each bracket using self-drilling screws with a #2 drill point (not provided). Do not screw into the flange with set screws. Screw length must not exceed  $\frac{3}{4}$ ".

## Utility Mounting Brackets

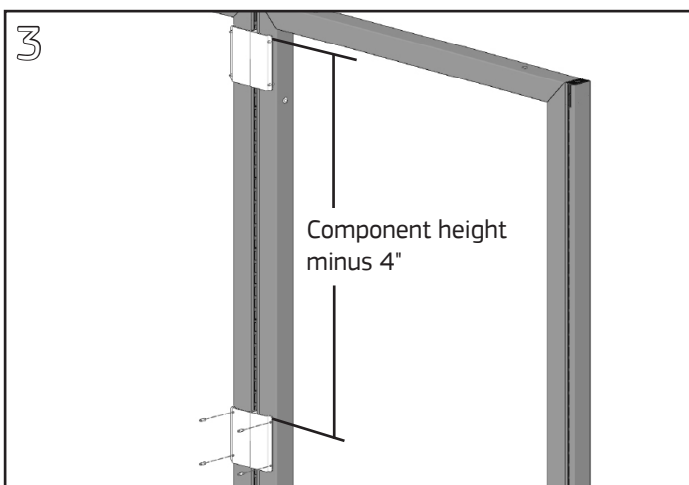
### Vertical Frame Mounting Option



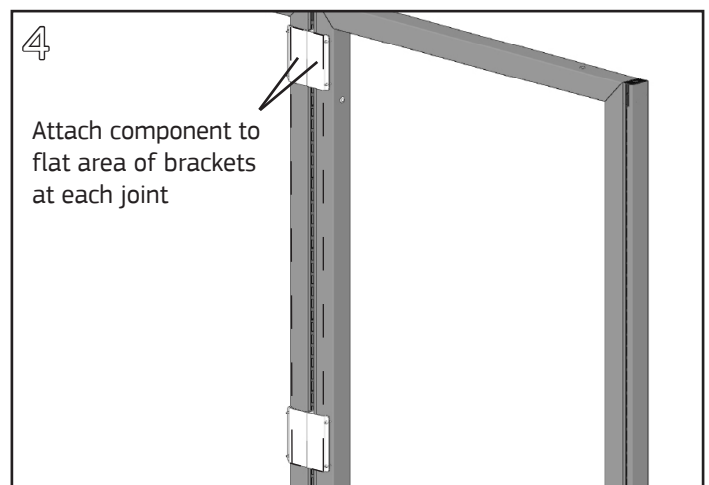
Install first bracket in the hanger frame slot at the frame joint. Install second bracket adjacent to the first at the same height. Ensure brackets are securely seated in the hanger frame slots.



Install two #10-24x5/8" set screws into the tapped holes on each bracket. Tighten each set of screws with a 3/32" Allen wrench until the brackets are flush.



Repeat steps 1 and 2 with a second pair of Utility Mounting Brackets below the first pair. The distance from the top of the top brackets to the top of the bottom brackets needs to be 4" less than the nominal size of the component to be mounted.



Mount component to the flat surface of each bracket using self-drilling screws with a #2 drill point (not provided). Do not screw into the flange with set screws. Screw length must not exceed 3/4".