

POWER/DATA BRACKET

Frame to Frame Joint Mounting of Brackets

1. At the joint between two frames, engage two 4 3/4" hanger clips into the left and right hand slotted hanger frames. Make sure both clips are at equal heights and are firmly seated in the hanger frame. (Figure 1)
2. Align the four slots in the center of the back plate of the Power/Data Bracket with the weldnuts on the clips. The Power/Data Bracket should be oriented such that the "T" extension is lower than the hanger clips. Fasten bracket to clips with four 5/16-18 x 1/2" Phillips screws provided. Tighten screws securely. (Figure 1)
3. Install the nylon tipped 5/16-18 x 3/4" set screws into the four tapped holes in the back plate of the bracket. Adjust the set screws to keep bracket firmly seated against the frames. (Figure 1)
4. Repeat steps 1-3 with the second bracket, installing it below the first, but flip it so that the "T" extension is located above the installed hanger clips. The vertical spacing between the tops of the hanger clips for each bracket should be 5" more than the nominal size of the component to be mounted.

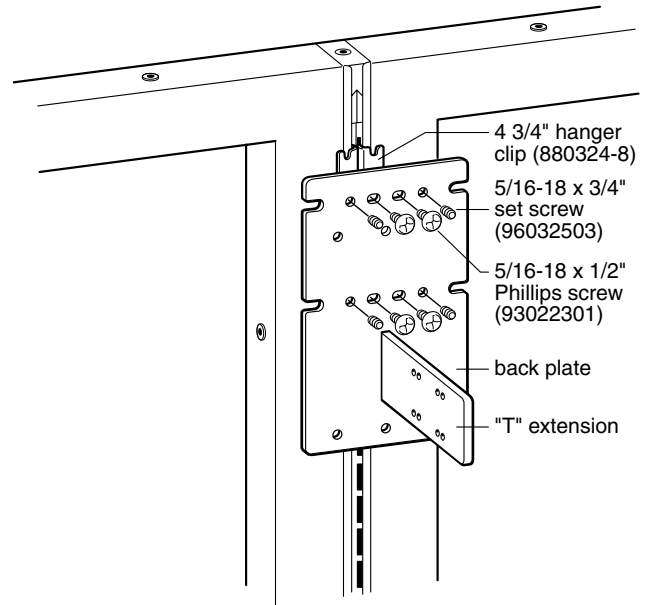


Figure 1

Frame & Three-way Corner Connector Joint Mounting of Brackets

1. On the back of a Three-way Corner Connector, engage two 4 3/4" hanger clips into the left and right hand slotted hanger frames of the connected frames. Make sure both clips are at equal heights and are firmly seated in the hanger frame. (Figure 2)
2. Align the notches on the sides of the back plate of the Power/Data Bracket with the weldnuts on the clips. The Power/Data Bracket should be oriented such that the "T" extension is lower than the hanger clips. Fasten bracket to clips with four 5/16-18 x 1/2" Phillips screws provided. Tighten screws securely. (Figure 2)
3. Install the nylon tipped 5/16-18 x 3/4" set screws into the four tapped holes in the back plate of the bracket. Adjust the set screws to keep bracket firmly seated against the back of the Three-way Corner Connector. (Figure 2)
4. Repeat steps 1-3 with the second bracket, installing it below the first, but flip it so that the "T" extension is located above the installed hanger clips. The vertical spacing between the tops of the hanger clips for each bracket should be 5" more than the nominal size of the component to be mounted.

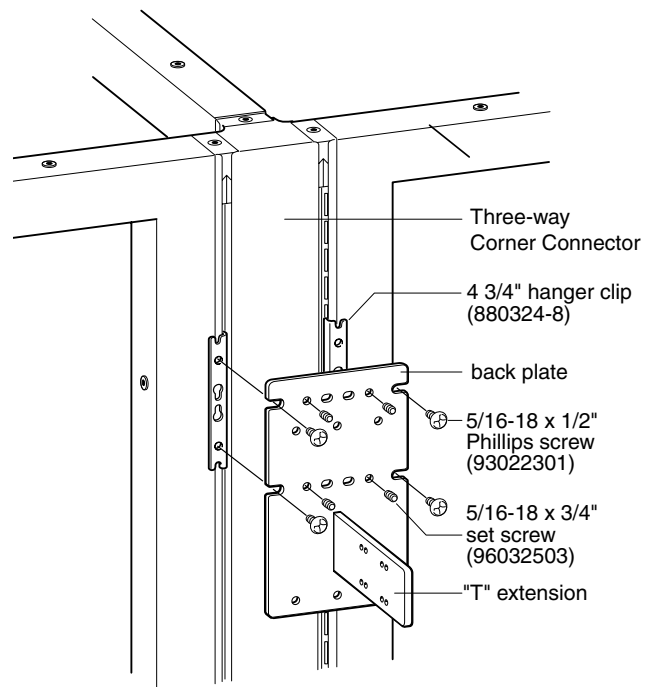


Figure 2

POWER/DATA BRACKET, continued

Frame & Two-way Corner Connector Joint Mounting of Brackets

1. On the back of a Two-way Corner Connector, engage one 4 3/4" hanger clip into the slotted hanger frame of the connected frame. Make sure the clip is firmly seated in the hanger frame. (Figure 3)
2. Align the slots in the center of the back plate of the Power/Data Bracket with the weldnuts on the clip so that the bracket is centered over the joint of the frame and connector. The Power/Data Bracket should be oriented such that the "T" extension is lower than the hanger clips. Fasten bracket to clips with two 5/16-18 x 1/2" Phillips screws provided. Tighten screws securely. (Figure 3)
3. Install the nylon tipped 5/16-18x3/4" set screws into the four tapped holes in the back plate of the bracket. Adjust the set screws to keep bracket firmly seated against the back of the Two-way Corner Connector and the adjacent frame. (Figure 3)
4. Repeat steps 1-3 with the second bracket, installing it below the first, but flip it so that the "T" extension is located above the installed hanger clips. The vertical spacing between the tops of the hanger clips for each bracket should be 5" more than the nominal size of the component to be mounted.

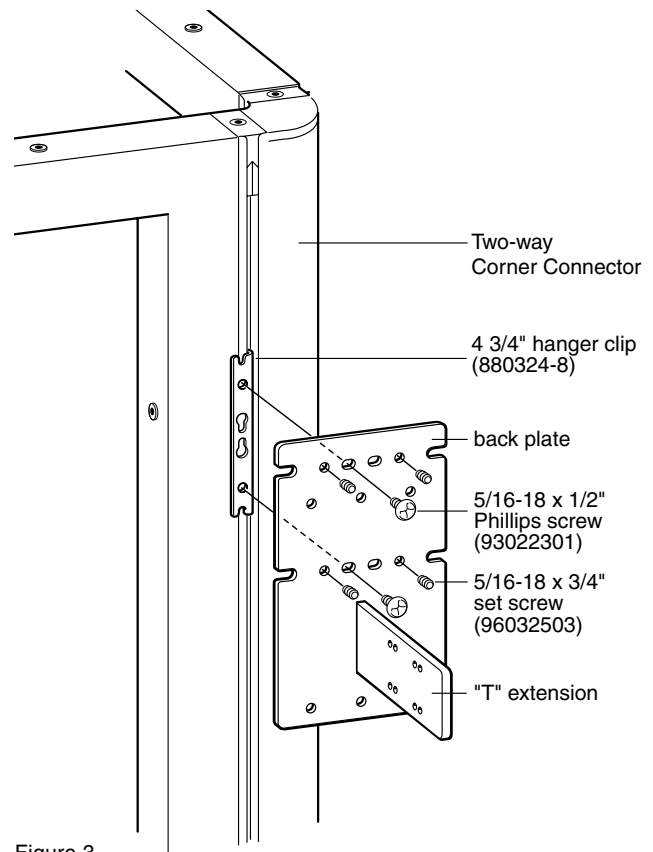


Figure 3

Frame End Mounting of Brackets

1. Align the 6" spaced holes in the back plate of the Power/Data Brackets with the captivators in the end of the Ultra Frame. The Power/Data Bracket should be oriented such that the "T" extension is lower than the hanger clip slots. The bracket can be mounted centered on the end of the frame, or offset to the right or left so that the edge of the plate is flush with the tube of the frame. Center mount is shown. (Figure 4)
2. Insert two 1/4-20 x 1 1/2" screws into the captivators and tighten securely. (Figure 4)
3. Repeat steps 1-2 with the second bracket, installing it below the first, but flip it so that the "T" extension is located above the hanger clip slots. The vertical spacing between the top edges of the two brackets should be approximately 1 3/8" more than the nominal size of the component to be mounted.

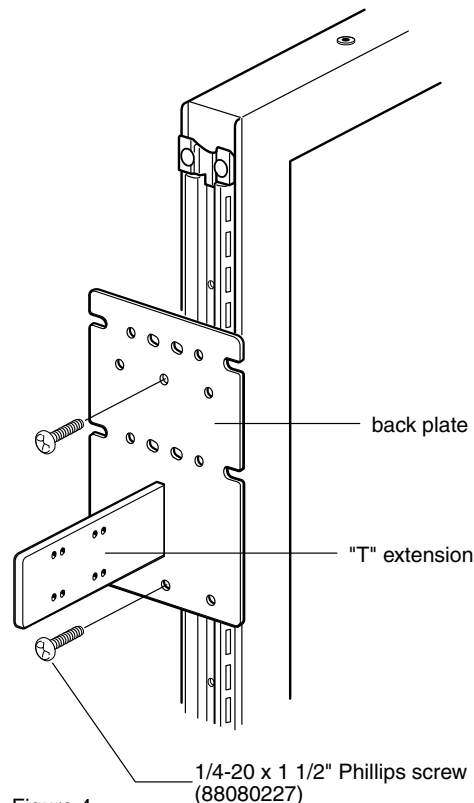


Figure 4

Power/Data Bracket Hardware Pack – PDBTHP (#99090302-01)