

CABLE RUNWAY LADDER AND T-SPLICE KIT

Note: T-splice Kits should not be used as a standard method of support; attaching a spliced Ladder to a Ladder supported by Plates or Wall Mount Kits reduces the weight capacity of the supporting Ladder by half the weight of the spliced Ladder and its load.

1. Butt the end of the Cable Runway Ladder to be supported by the splice kit up against the fully supported Cable Runway Ladder at a ninety degree angle. (Figure 1)

2. Place a T-splice bracket over the top and bottom of the ladder rails at the joint. Insert a 3/8-16x2" carriage bolt through the square holes in both brackets and fasten with a 3/8" split lock washer and 3/8-16 hex nut. Tighten completely. (Figure 1)

3. Repeat on the other side of the Ladder joint.

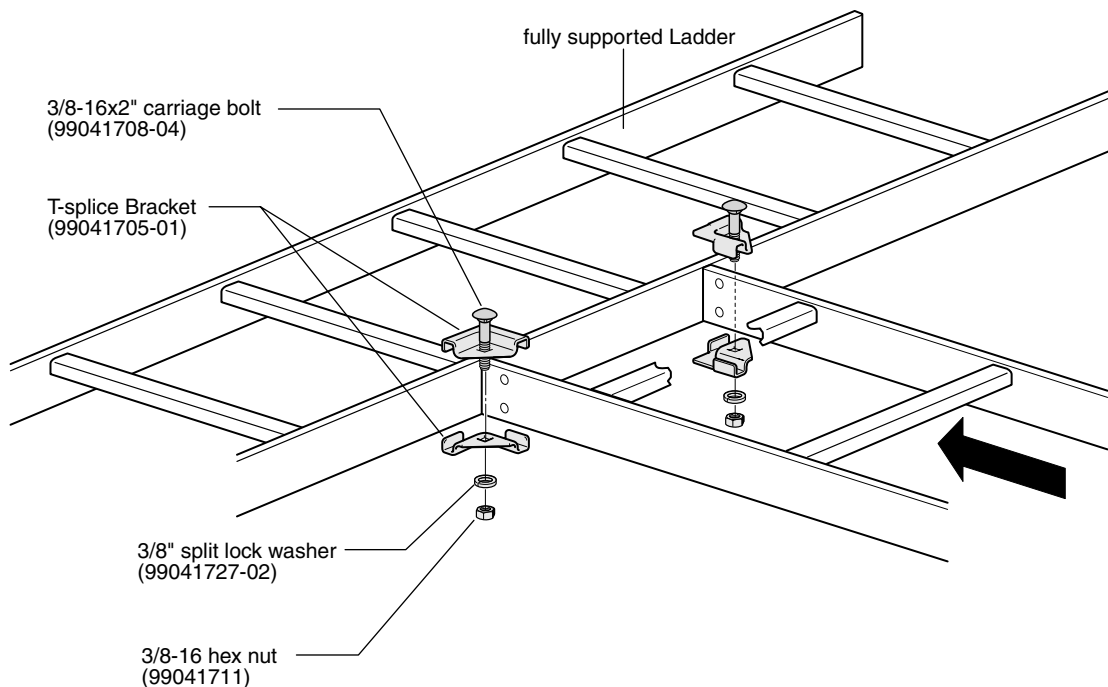


Figure 1