

CABLE RUNWAY LADDER AND WALL SUPPORT KIT, PARALLEL

Note: Wall anchors and bracket mounting bolts are not provided with this product. The holes in the bracket have a diameter of 9/16".

1. Place the Parallel Cable Runway Wall Support bracket on the wall at the desired location and mark the required anchor hole locations. (Figure 1)
2. Drill pilot holes and insert appropriate anchors.
3. Place the bracket on the wall and fasten with mounting bolts.
4. Set the Cable Runway Ladder on top of the bracket. Insert the J-bolts through the slots in the top of the bracket so that the hook of the J-bolt rests on top of the Cable Runway Ladder rail. Fasten with a 5/16" split lock washer and 5/16-18 hex nut. (Figure 1)

Cable Runway J-Bolt Kit – CRJB (#99041734-01)

CABLE RUNWAY LADDER AND WALL SUPPORT KIT, PERPENDICULAR

Note: Wall anchors and channel mounting bolts are not provided with this product. The holes in the channel have a diameter of 9/16".

1. Place the Perpendicular Cable Runway Wall Support Channel on the wall at the desired location and mark the required anchor holes. The bottom of the channel should be placed 3/16" higher than the bottom of the Cable Runway Ladder to be supported. (Figure 3)

2. Drill pilot holes and insert appropriate anchors.
3. Place the channel on the wall and fasten with mounting bolts.

4. If the end of the Cable Runway Ladder to be supported by the Perpendicular Cable Runway Wall Support Kit has been cut, use the Tie Bolt brackets as a template for marking the necessary hole locations. The side of the bracket with the single hole should be placed flush with the end of the Cable Runway Ladder and the hole diameter required in the Ladder is 0.332". (Figure 2)

5. Insert the 5/16-18x1 1/8" bolts through the 5/16" ID flat washers and then through the two holes in the Tie Bolt bracket and Cable Runway Ladder. Fasten each bolt with a 5/16" split lock washer and 5/16-18 hex nut. Repeat on the other Cable Runway Ladder end. (Figure 2)

6. Insert the 3/8-16 spring nuts into the channel and position the nuts 13 7/8" apart. (Figure 2)

7. Align the Tie Bolt brackets attached to the Cable Runway Ladder with the spring nuts in the channel. Insert a 3/8-16x1" bolt through each Tie Bolt bracket into the spring nuts. Tighten both bolts completely. (Figure 3)

Perpendicular Cable Runway Wall Support Kit Hardware Pack – CRWK2HP (#99041743-01)

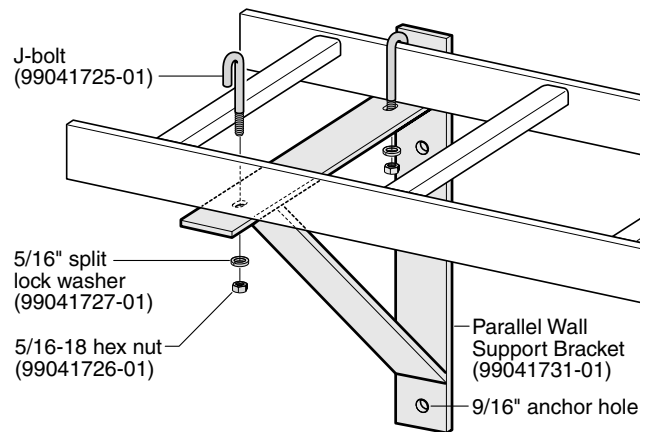


Figure 1

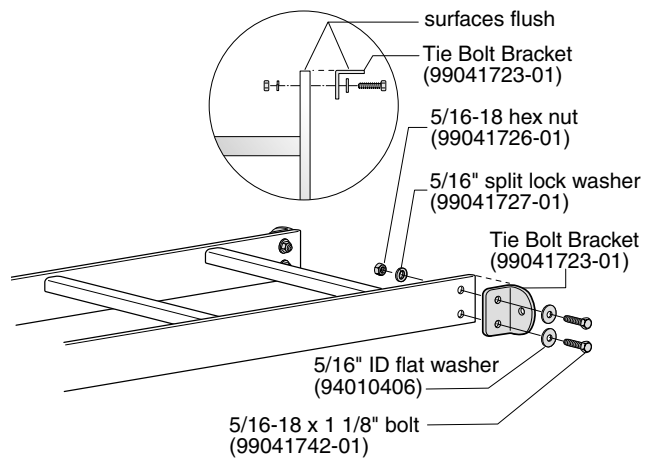


Figure 2

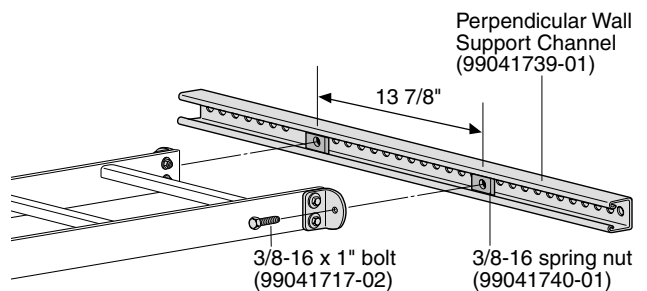


Figure 3