

AO3/EO ADAPTER FOR SERIES 3

The height of the AO Series 3 Panel cannot exceed Ethospace Panel height.

Prepare AO3/EO Adapter for installation

1. Determine proper location for *top connector block* (Series 3 panel height) and assemble to adapter with two 1/4-20 x 3/4" phillips flat head screws and 1/4-20 lock nuts. (Figure 1)

2. Determine proper location for *mid pin block*, making sure block lines up with the COH plate on the EO Connector. Attach the block, pin side down, using two 1/4-20 x 1" phillips flat head screws provided.

Prepare EO Connector for installation

4. From the side of the EO Connector that the AO3/EO Adapter and Series 3 panel will attach, remove the reaction plate, mid stabilizer bracket and bottom connector hook. (Figure 2)

5. Install the *top block* to the EO Connector from the top side, using two 1/4-20 x 5/8" socket button head screws provided.

Install AO3/EO Adapter to Ethospace Connector and Series 3 Panel

6. Insert *bottom pin block* into the holes on bottom EO connector base plate, aligning mid block pins with COH plate. Install adapter to EO Connector with two 1/4-20 x 1" phillips screws thru the adapter into the top pin block. (Figure 2)

7. Install draw block with a 5/16-18 x 1-1/2" socket cap screw provided. (Figure 1)

8. Cut vinyl extrusion filler to proper length to fit between connector blocks, remove foam tape paper backer and press-fit on adapter. Proceed with Series 3 panel installation in normal manner.

9. Finish length of exposed AO3/EO Adapter above the Series 3 panel with Herman Miller's Finished End Change of Height, product #AO259 (part not provided with AO3/EO Adapter).

10. Herman Miller Ethospace Top Plastic Trim Cap (not shown) will have to be trimmed on the side mating with the adapter.

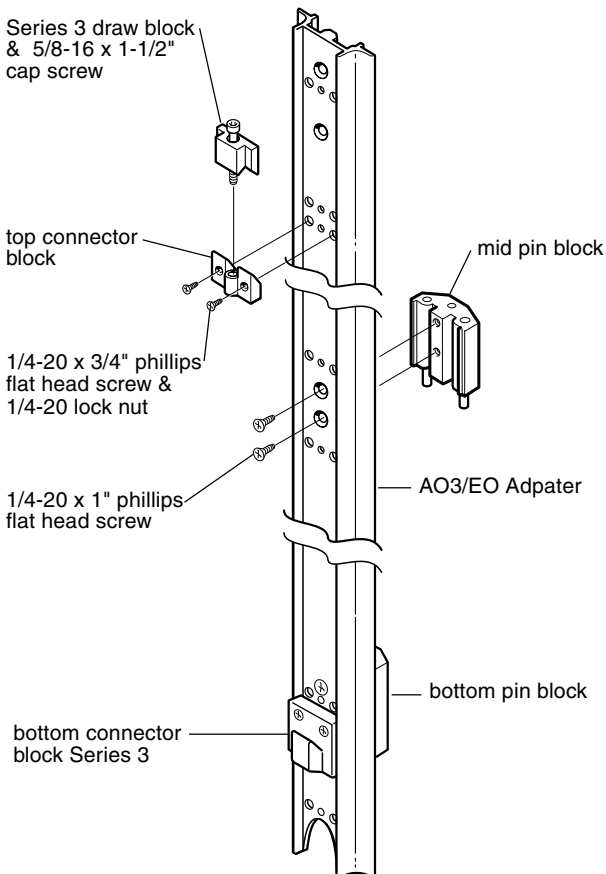


Figure 1

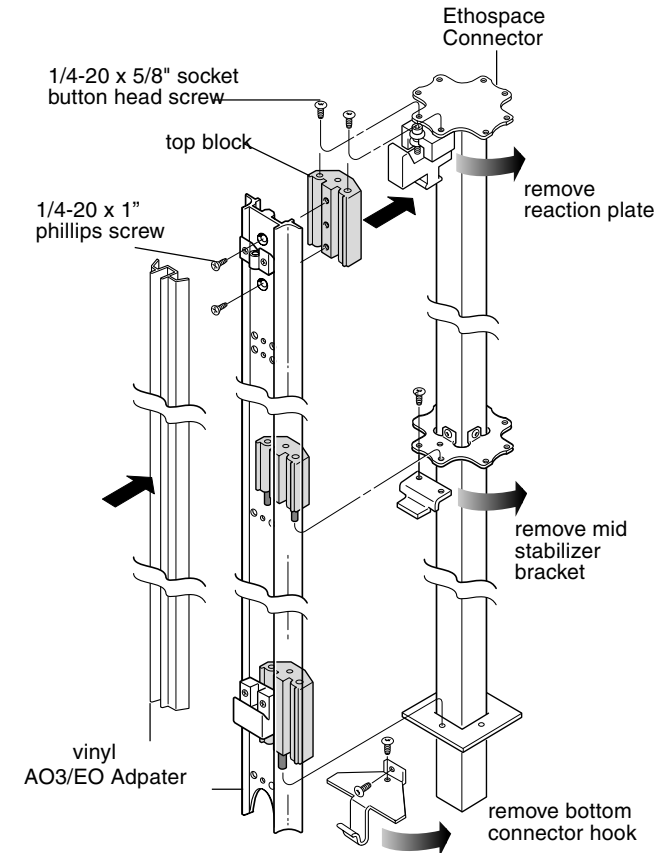


Figure 2