

AO/EO ADAPTER FOR SERIES 1 AND 2

The height of the AO Series 1 or 2 Panel cannot exceed the Ethospace Panel height.

Prepare AO/EO Adapter for installation

1. The adapter's *bottom connector block* is installed for Series 2, for Series 1 reinstall block at adapter's bottom. (Figure 1)

2. Determine proper location for *top connector block* (Series 1 or 2 panel height) and assemble to adapter with two 1/4-20 x 3/4" phillips flat head screw and 1/4-20 lock nuts.

3. Determine proper location for *mid pin block*, making sure block lines up with the COH plate on the EO Connector. Attach the block, pin side down, using two 1/4-20 x 1" phillips flat head screws provided.

Prepare EO Connector for installation

4. From the side of the EO Connector that the AO/EO Adapter and Series 1 or 2 panel will attach, remove the reaction plate, mid stabilizer bracket and bottom connector hook. (Figure 2)

5. Install the *top block* to EO Connector from the top side, using two 1/4-20 x 5/8" socket button head screws provided.

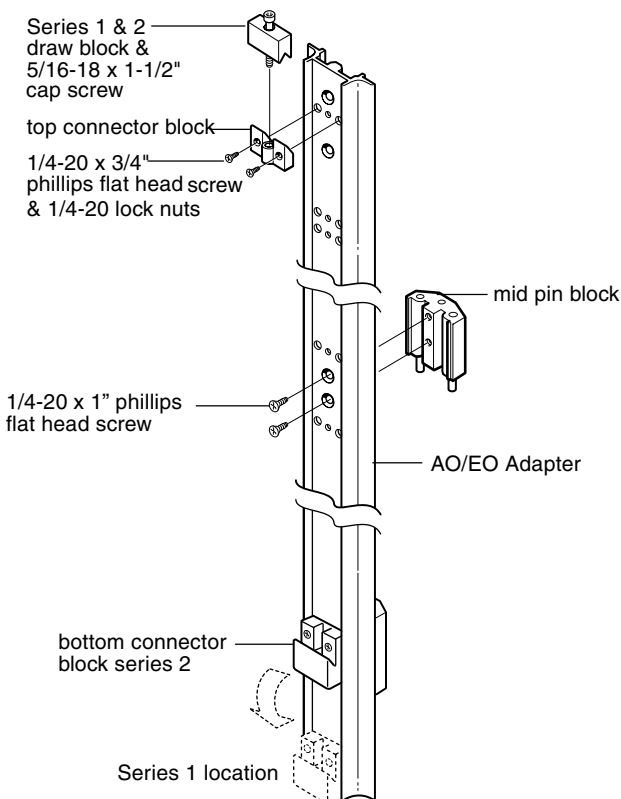


Figure 1

Install AO/EO Adapter to EO Connector and Series 1 & 2 Panel

6. Insert *bottom pin block* into the holes on bottom EO connector base plate, aligning mid block pins with COH plate. Install adapter to EO Connector with two 1/4-20 x 1" phillips screws thru the adapter into the *top pin block*.

7. Install *draw block* with a 5/16-18 x 1-1/2" socket cap screw provided. (Figure 1)

8. Cut vinyl extrusion filler to fit between connector blocks, remove foam tape paper backer and press-fit on adapter. Proceed with Series 1 or 2 panel installation in normal manner.

9. Finish length of exposed AO/EO Adapter above Series 1 or 2 panel with Herman Miller's Finished End Change of Height, product #AO259 (part not provided with AO/EO Adapter).

10. Herman Miller Ethospace Top Plastic Trim Cap (not shown) will have to be trimmed on the side mating with the adapter.

AO/EO Hardware Pack - AO/EOHP (#96091801)

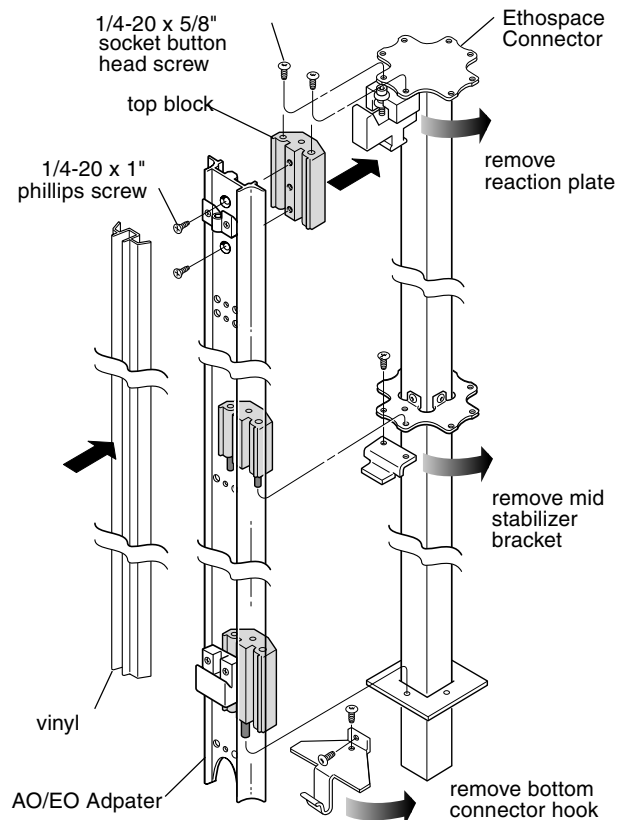


Figure 2