

INSTALLATION INSTRUCTIONS

WORK SURFACES AND SUPPORTS

PENINSULA SURFACE

This surface comes with an adjustable leg. The square end of the top can be attached to a frame with Work Surface Cantilever Supports or Work Surface Stretcher Bar, to a C Leg or B Frame with Surface B Support Brackets, or to an adjacent surface with a Link Plate. The additional support components are ordered separately.

1. Lay surface upside down. Align Peninsula Leg with the predrilled holes at round end in surface bottom and attach with four (4) #10-12 x 3/4" phillips screws provides. Adjust leg height accordingly. (Figure 1)

2. Determine how square end of peninsula will attach to the station.

Work Surface Stretcher Bar

3. Along depth side of surface, install the button and pin into predrilled holes on surface bottom with the #10-12 x 1" screw provided matching the hole pattern in the stretcher bar. (Figure 2)

4. Install the Work Surface Stretcher Bar and attach the top according to its instructions.

Work Surface Cantilever Supports & Surface B Support Brackets

5. Along length sides of surface, install buttons and pins into predrilled holes on surface bottom with the #10-12 x 1" phillips screw provided.

6. Install the button at the rear of the surface. Install the supports and attach the top according to its instructions. (Figure 3)

Link Plate

7. Position the Peninsula Surface adjacent to an installed surface. Using the Link Plate as a template, predrill 1/8" holes x 1/2" deep in the installed surface.

8. Attach each Link Plate with twelve (12) #10-12 x 1" phillips screws provided. (Figure 4)

Surface Accessory Hardware Pack - SFAHP (#96011201)

Link Plate Hardware Pack - LPHP (#98032501)

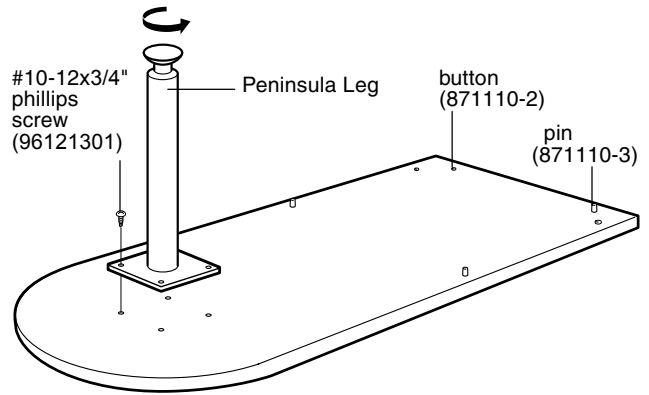


Figure 1

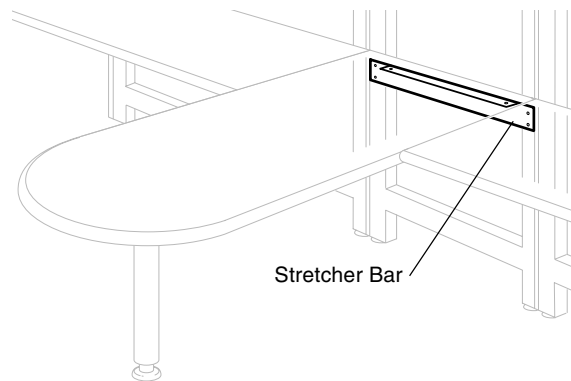


Figure 2

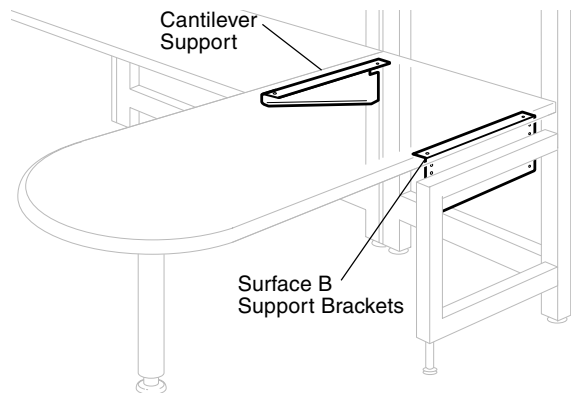


Figure 3

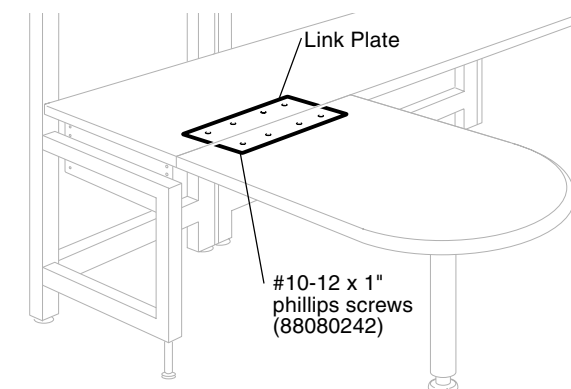


Figure 4