

GENERAL PURPOSE SHELF AND WIRE SHELF

This shelf is designed to have the support brackets mounted above or beneath the shelf surface. The shelf can install flat or at an 8° or 16° slope when the support brackets are attached above the shelf.

Installing Shelf with Support Brackets Below Shelf Surface

1. With flat side up, insert left hand support bracket into the left side of the frame at designated height. Make sure bracket is firmly seated in hanger frame. Repeat with right hand support bracket into the right side of the frame. (Figure 1)
2. Determining the desired position of the shelf, partially install a #10-24 x 5/16" Phillips pan head screw into the appropriate front and rear threaded inserts of both support brackets.
3. Position notches in the sides of the shelf over screws in support brackets. Make sure screws are engaged in notches and securely tighten.

Installing Shelf with Support Brackets Above Shelf Surface

1. With angled side up, insert left hand support bracket into the left side of the frame at designated height. Make sure bracket is firmly seated in hanger frame. Repeat with right hand support bracket into the right side of the frame.
2. Install shelf per points 2 and 3 above.

Note: When shelf is sloped, position raised edge toward the front.

Dissipative Finish Shelf

Dissipative finish shelves come with an ESD Cable Kit Assembly (CKA) for grounding the shelf to the frame.

Grounding a General Purpose Shelf

1. Using the 1/4-20 x 5/8" sems screws provided, attach one end of the coiled cord to the threaded insert located on the back side of shelf and the other end to a selected ESD ground path means. (Figure 2)

Grounding a Wire Shelf

1. Attach one end of the coiled cord under one of the #10-24 x 5/16" Phillips pan head screws used to attach the shelf to the bracket. Using a 1/4-20 x 5/8" sems screw provided attach the other end to a selected ESD ground path means.

General Purpose Shelf Hardware Pack – GPSHP (#97050103)

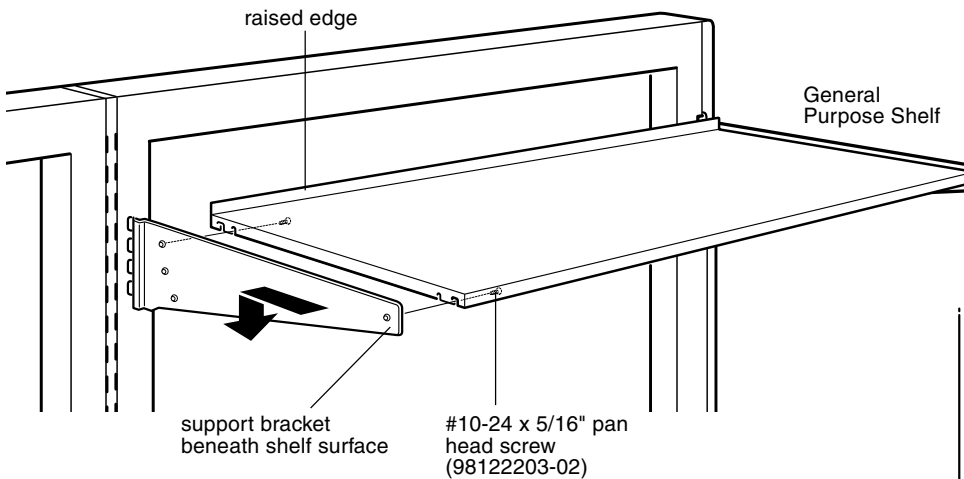


Figure 1

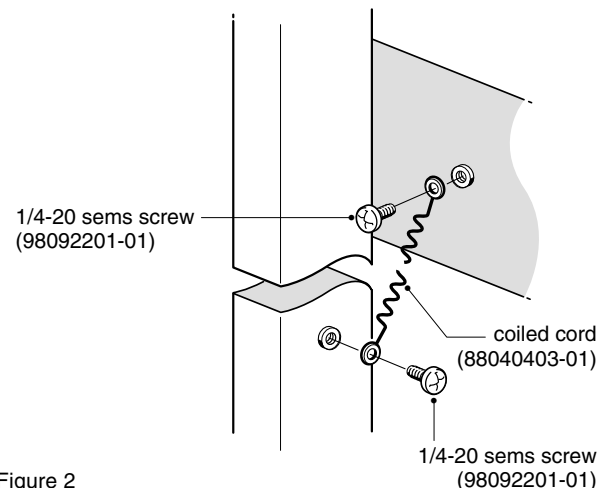


Figure 2