

## Ground Chain

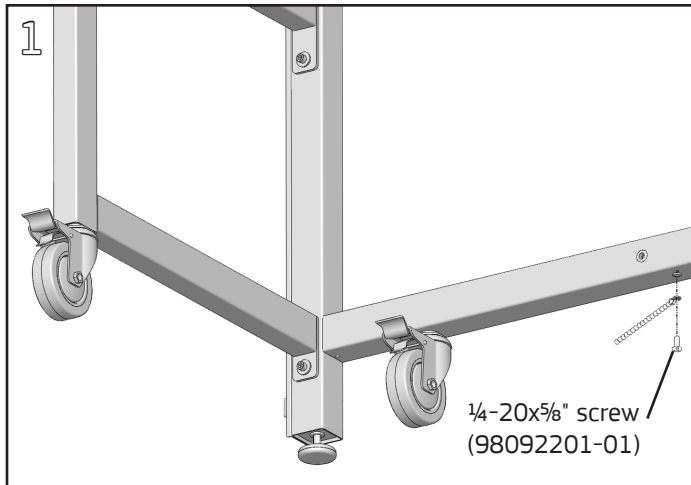
### Product Numbers

- GCH6

Hardware Pack: none

### Required Tools

- #2 Phillips Screwdriver



Locate the threaded insert on the underside of the bottom tube of the UltraFrame. Fasten ring terminal of Ground Chain to frame with a  $\frac{1}{4}$ -20x $\frac{5}{8}$ " Phillips pan head SEMS screw using a **#2 Phillips screwdriver**.