

Ground Ball

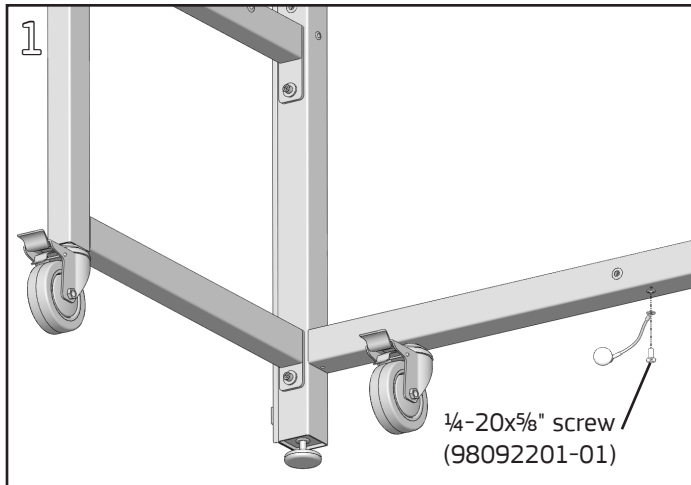
Product Numbers

- GBAL6

Hardware Pack: none

Required Tools

- #2 Phillips Screwdriver



Locate the threaded insert on the underside of the bottom tube of the UltraFrame. Fasten ring terminal of Ground Ball to frame with a 1/4-20x5/8" Phillips pan head SEMS screw using a #2 Phillips screwdriver.