

## Cable Duct, Top-Mount

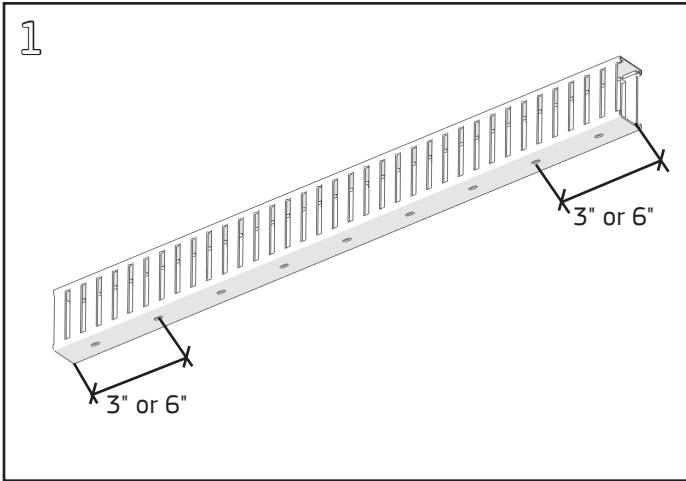
### Product Numbers

- CDC72

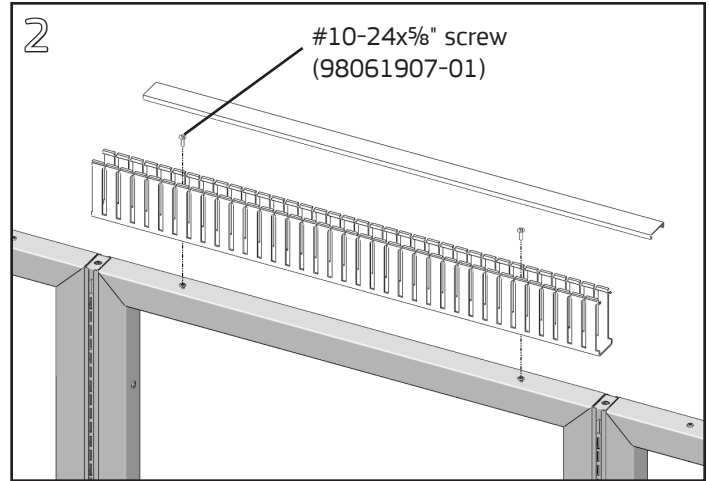
Hardware Pack: CDCHP (p/n 98061906-01)

### Required Tools

- #2 Phillips Screwdriver



If necessary, cut Cable Duct base and cover down to fit frame run. When cutting base, the slots must be located 3" from the ends for mounting to 30" wide UltraFrame or 6" from the ends for all other frame widths.



Remove cover to access slots in the base. Align two of the slots with the threaded inserts in the top of the UltraFrame. Fasten with a #10-24x5/8" Phillips pan head screw at each insert using a #2 Phillips screwdriver. Replace cover after cable lay-in is complete.