

Spool Holder, Rail Mount

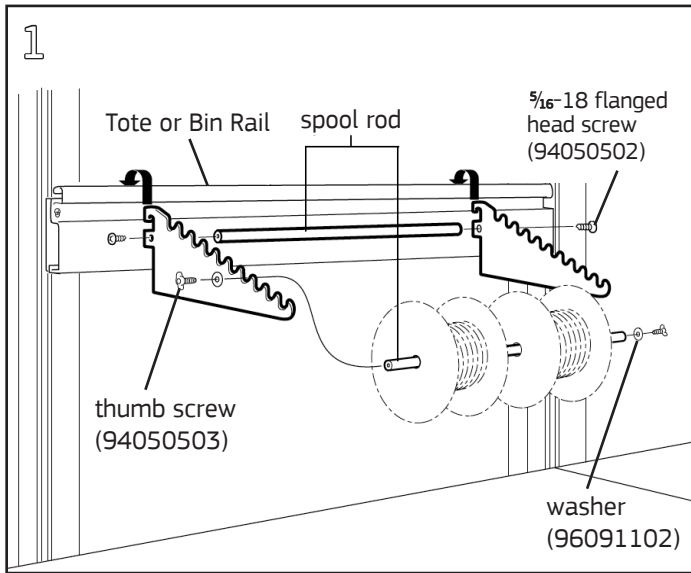
Product Numbers

- n.a.

Required Tools

- none

Hardware Pack: SPRHP (p/n 96121001)



This Spool Holder is designed to hang from a Tote Rail or Bin Rail.

1. Join two brackets together at the backside with one spool holder rod using two (2) 5/16-18 flanged head screws. Securely tighten.
2. Attach thumb screws to each end of remaining spool holder rod, placing a washer between the thumb screw and rod. DO NOT TIGHTEN.
3. Hang assembled Spool Holder over the top of a Tote Rail or Bin Rail.
4. Place material spool over rod and place the rod in the appropriate bracket notch. Securely tighten thumb screw to prevent material spool from disengaging.