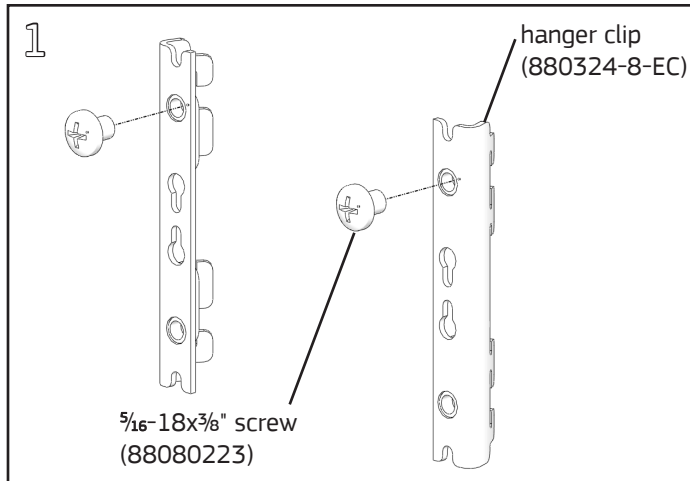


## Cable Tray - Frame Mount

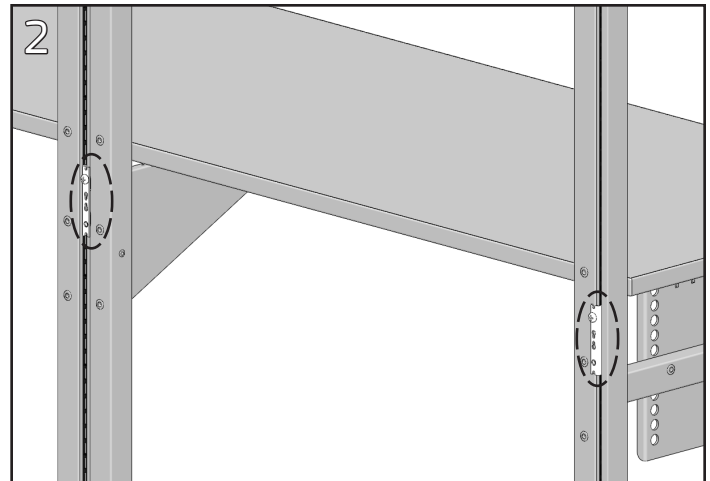
### Product Numbers

- CTFxx

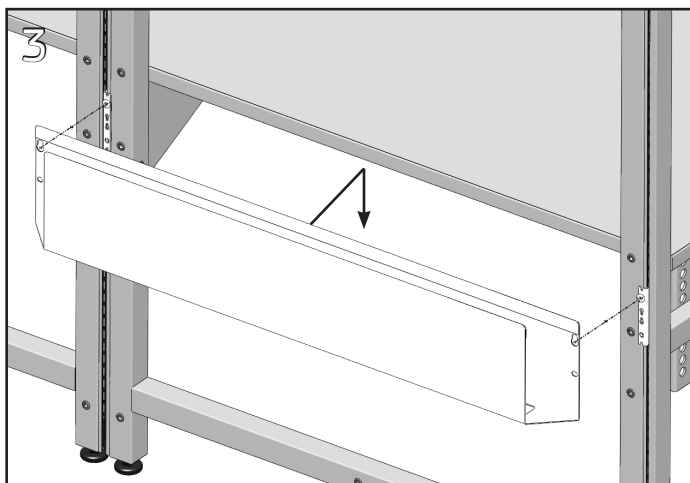
Hardware Pack: HCP4 (p/n 88081504)



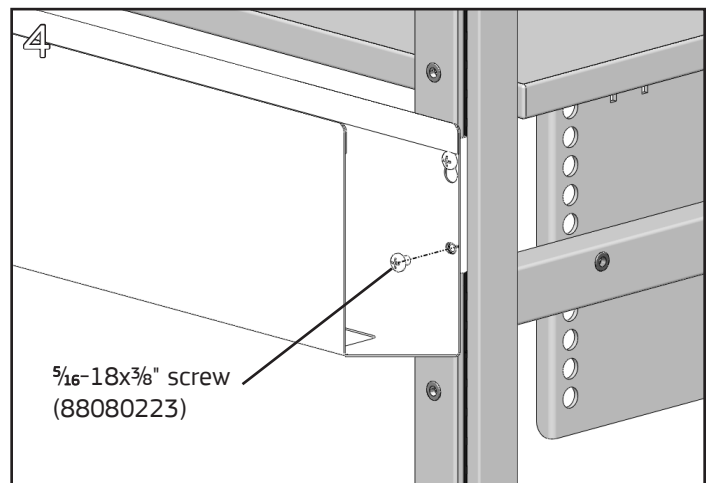
Install a  $\frac{5}{16}$ -18x $\frac{3}{8}$ " Phillips pan head screw into each hanger clip at opposite ends leave a  $\frac{3}{16}$ " gap between the screw and clips using a **#4 Phillips screwdriver**.



Install a hanger clip on the left and right side of the frame or panel with the screws at the top of each clip. Ensure the clips are firmly seated in the slots.



Align the bottom of the keyslots in the cable tray with the heads of the  $\frac{5}{16}$ -18 screws in the hanger clips. Slide the tray down over the screws to engage.



Install an additional  $\frac{5}{16}$ -18 screw in the hole below the keyslot on each end of the tray. Fully tighten all four hanger clip screws with a **#4 Phillips screwdriver**.