

Electrical Plug Strip

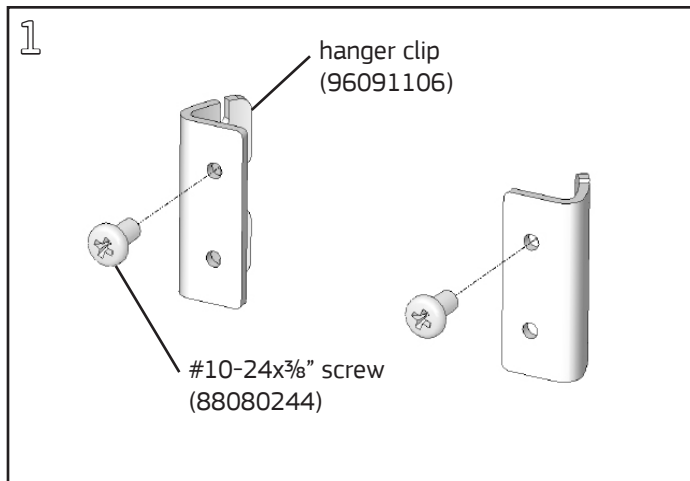
Product Numbers

- EPS24 thru EPS72
- EP2024 thru EP2072
- EPT24 thru EPT72
- EPT2024 thru EPT2072

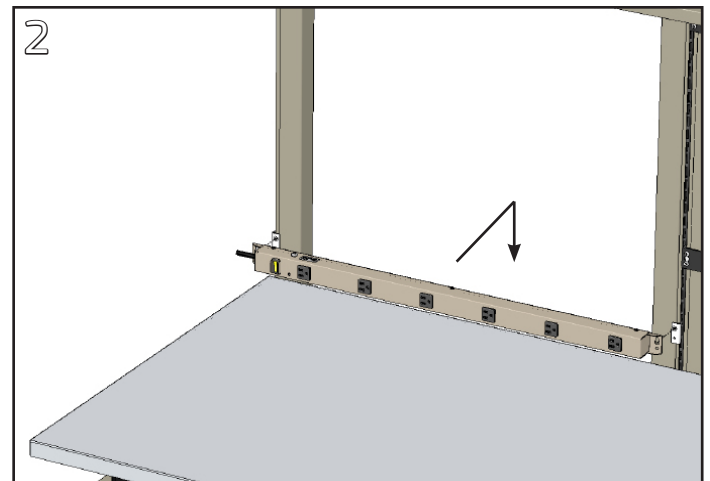
Hardware Pack: EPSHP (89032801) - 15 Amp
EP20HP (14040202-01) - 20 Amp

Required Tools

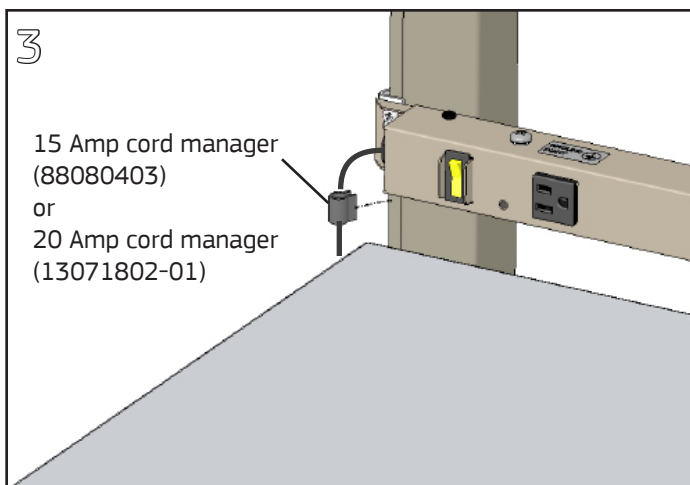
- None



Install a #10-24x $\frac{3}{8}$ " Phillips pan head screw into each hanger clip at opposite ends, leaving a gap between the screw and clip.



Install a hanger clip on the left and right side of the frame or panel with the screws at the top of each clip. Align the bottom of the keyslots in the plug strip with the heads of the #10-24 screws in the hanger clips. Slide the power strip down over the screws to engage.



Place cord manager around plug strip cord and push into hanger frame slots to manage cord.