

KEYBOARD TRAY SHELF MOUNT

This component installs beneath a shelf. Attach the track to the shelf before installing the shelf on the frame. The instructions illustrate an 18" Multi-function Shelf.

1. With track grooves facing up, attach back bumper to the track using a #8-32 x 1/4" pan head screw (silver) and #8-32 T-nut provided.
2. Hook J-clip over Z bar of shelf and position under track. Slide rear support weldment under the track and J-clip aligning all holes. Fasten with two (2) #10-24 x 3/8" pan head screws (black) provided.
3. Hook lip of front mounting clip under front edge of shelf. See Figure 2 to determine appropriate position for the shelf style. Slide clip under track aligning all holes. Fasten with two (2) #10-24 x 3/8" pan head screws (black) provided.

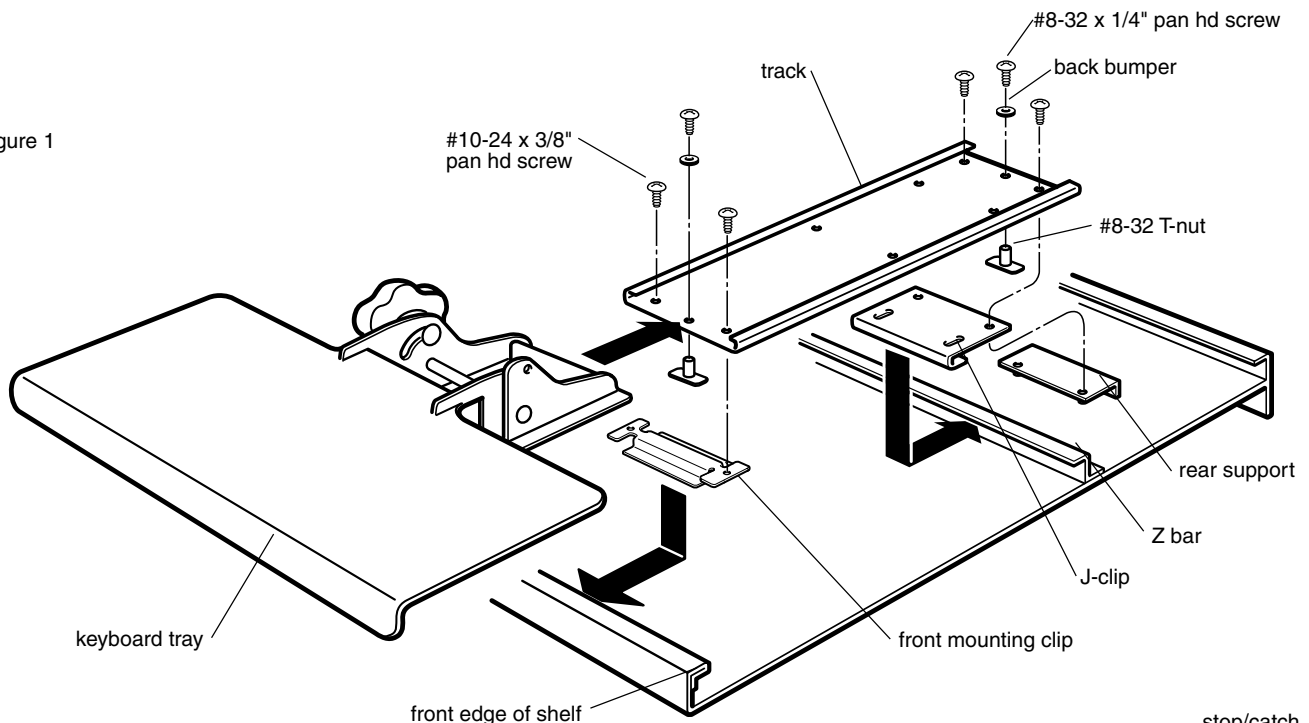
4. Slide track to desired position. Install shelf per its installation instructions.

5. Install Stop/Catch to back of keyboard swivel plate (Figure 3). Slide keyboard on to track. Install front bumper using a #8-32 x 1/4" pan head screw (silver) and #8-32 T-nut provided. (Figure 1)

6. Tighten all screws. Place keyboard on tray running cord through the hole in the tray. Attach cable tie to shelf bottom in appropriate position to manage cord.

7. Figures 4, 5, 6 and 7 illustration the positions of the J-clip and rear support weldment on various depth flat or sloping shelves.

Figure 1



Front Mounting Clip Detail

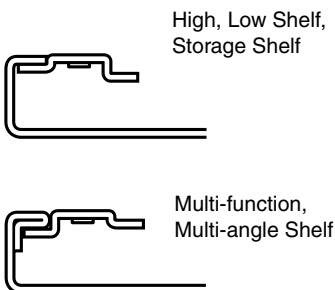


Figure 2

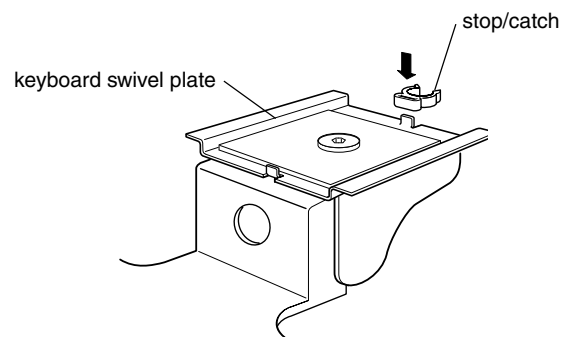
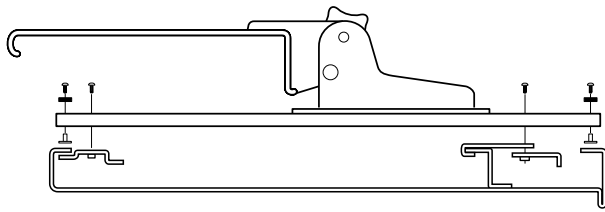


Figure 3

KEYBOARD TRAY SHelf MOUNT, continued

Storage Cabinet Bottom



front

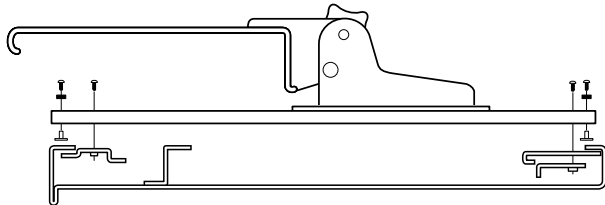
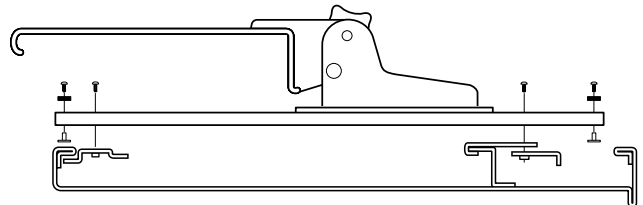


Figure 4

15" Multi-Function Shelf



front

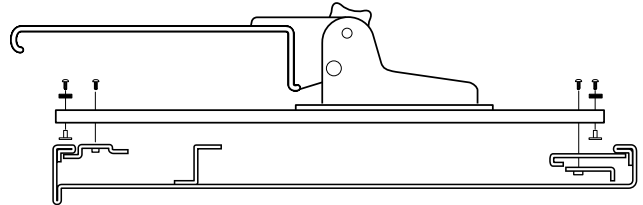
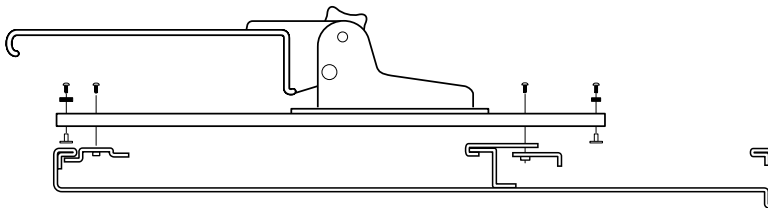


Figure 5

18" Multi-Function Shelf



front

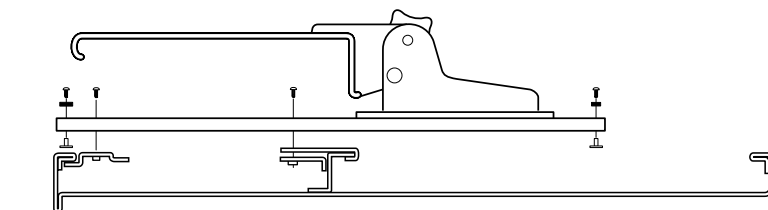
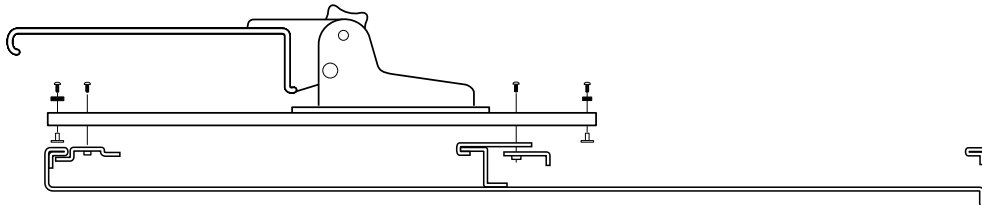


Figure 6

24" Multi-Function Shelf



front

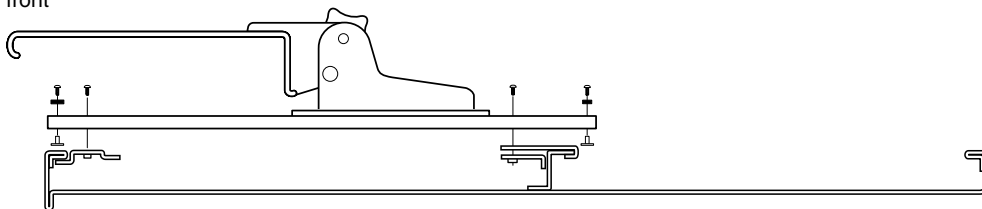


Figure 7