

Work Surface Light Mounting Bracket

Product Numbers

- WSMB

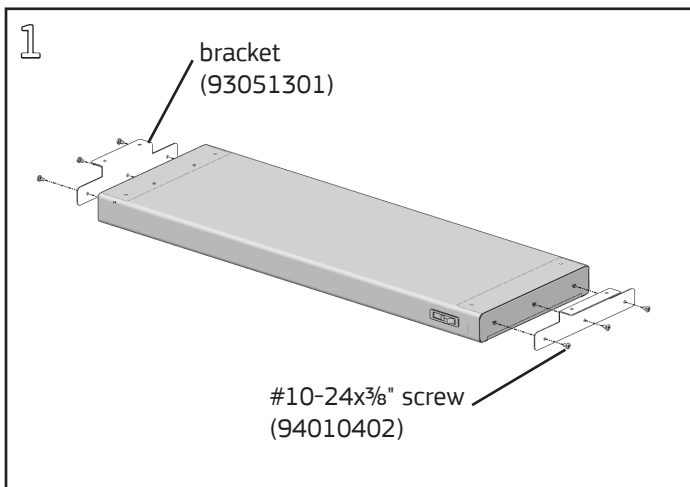
Hardware Pack: WSMBHP (p/n 97052103)

Required Tools

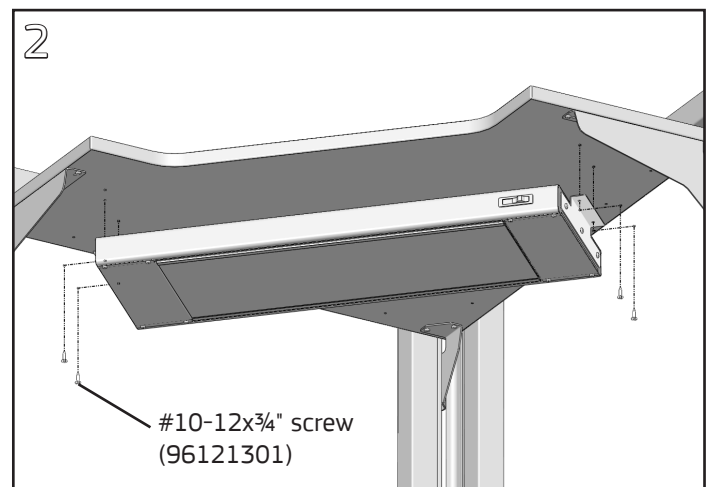
- #2 Phillips Screwdriver and/or #2 Phillips Bit
- Cordless Drill/Driver

CAUTION: Injury to persons and damages to the light may result if the light is pulled away from the mounting surface. Always mount light to a mounting surface that is mechanically sound to reduce likelihood of such injury or damage.

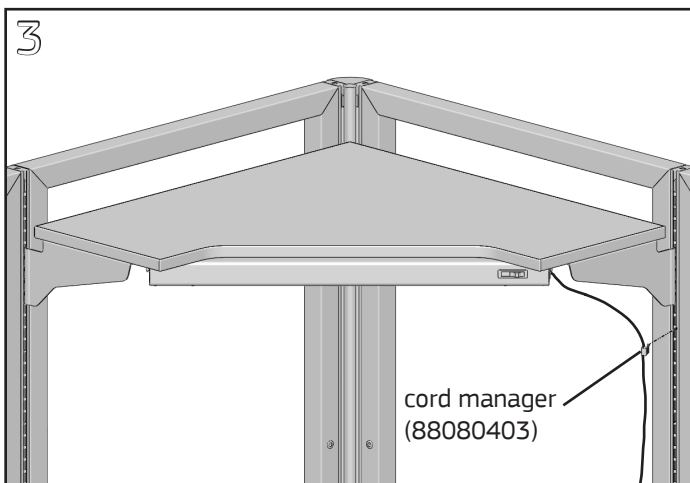
WARNING: Do not tighten #10-12 surface screws more than 25 in-lbs. in laminated surfaces or 40 in-lbs. in phenolic surfaces.



Lay Task Light with the lens side down on a clean surface. Position mounting brackets on the ends of the light with the top flanges outboard. Fasten each bracket to the light with (3) #10-24x $\frac{3}{8}$ " Phillips pan head screws (provided with light) using a #2 Phillips screwdriver.



Install the Corner Shelf per instructions. Align the light brackets with the four pre-drilled holes in the underside of the shelf. Fasten with #10-12x $\frac{3}{4}$ " screws using a cordless drill and #2 Phillips bit.



Place cord manager around Task Light cord and push into hanger frame slots to manage cord.