

STORAGE SHELF, CABINETS & ADD-ON SHELF

Installing Storage Shelf

1. Install two (2) #8-32 phillips screws into bottom holes of each end panel. With screws to the inside, engage left-hand end panel in left side of panel at designated height. Push down to securely set. Repeat with right-hand end panel. (Figure 1)
2. Position notches in shelf's ends over screws in end panels, dropping shelf over screws. Make sure screws are engaged in notches and securely tighten. (Figure 1)

Note: Install Back Panel of Storage Cabinet before installing Cabinet top and door.

Installing Storage Cabinet Back Panel

3. Carefully slide Back Panel down back of installed shelf with the flanges facing inboard. Align holes and fasten with four (4) #8-32 phillips screws.

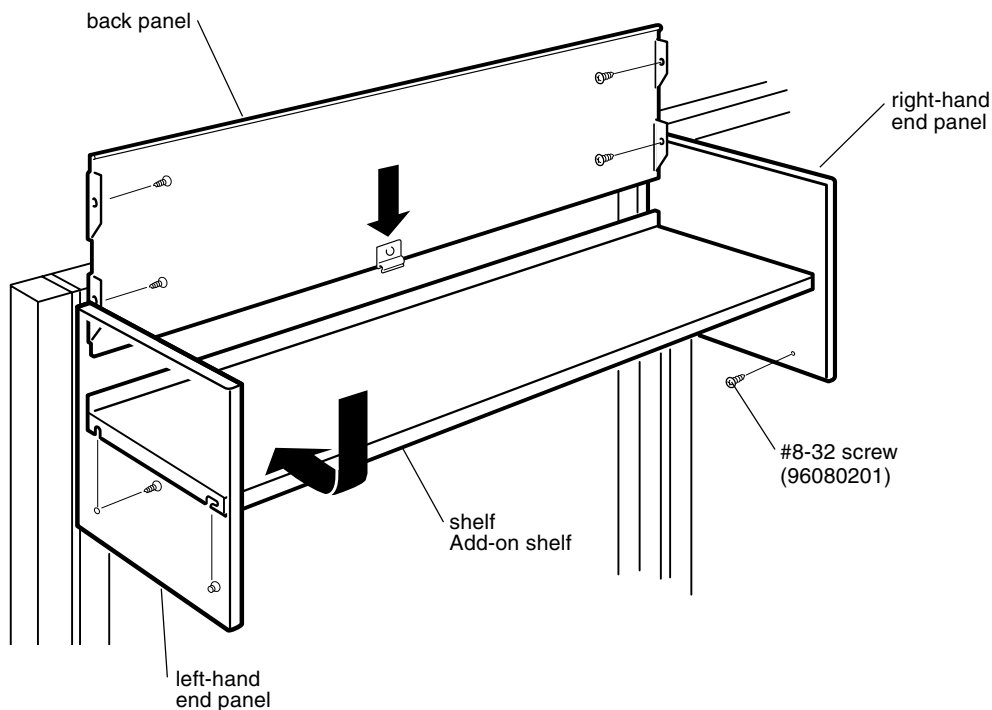


Figure 1

side view of shelf/cabinet

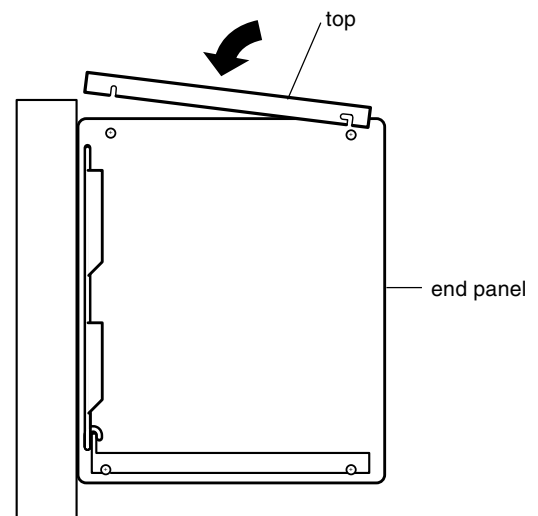


Figure 2

STORAGE SHELF, CABINETS & ADD-ON SHELF, continued

Installing Storage Cabinet Door

4. Place top unit over end panels, aligning side notches with four (4) #8-32 phillips screws. Drop top over screws, making sure screws are securely engaged in notches. (Figure 2)

5. Lay door upside down on flat surface. With slide flanges facing outward align hinged end of slide with rear holes in cabinet door. Fasten each slide to door with two (2) #8-32 phillips screws using the slotted holes in hinge flange, finger tighten only. Slide hinges back on door. (Figure 3)

6. Position door over top of installed shelf. Align round holes in slide flanges with holes at top of the end panels. Fasten each slide with four (4) #8-32 phillips screws. Finger tighten screws. (Figure 4)

7. Close door on cabinet, check alignment. Alignment can be adjusted by loosening screws on slide flanges and/or cabinet door and repositioning until properly aligned. Hand tighten all screws securely. **DO NOT** over tighten or use power driven tools.

Dissipative Finish Storage Shelf/Cabinet

A dissipative finish unit comes with an ESD Cable Kit (CKA), used to ground the shelf to the frame.

1. Using 1/4-20 sems screws provided, attach one end of coiled cord to threaded insert located on back side of shelf and other end to one the the frame's two (2) threaded grounding locations. (Figure 5)

Storage Cabinet Assy Hardware Pack - SCAHP (#96062602)
Storage Shelf/Back Hdw. Pack - SCBHP (#96080202)
Storage Cabinet Door Assy Hdw. Pack - SCDHP (#96080701)

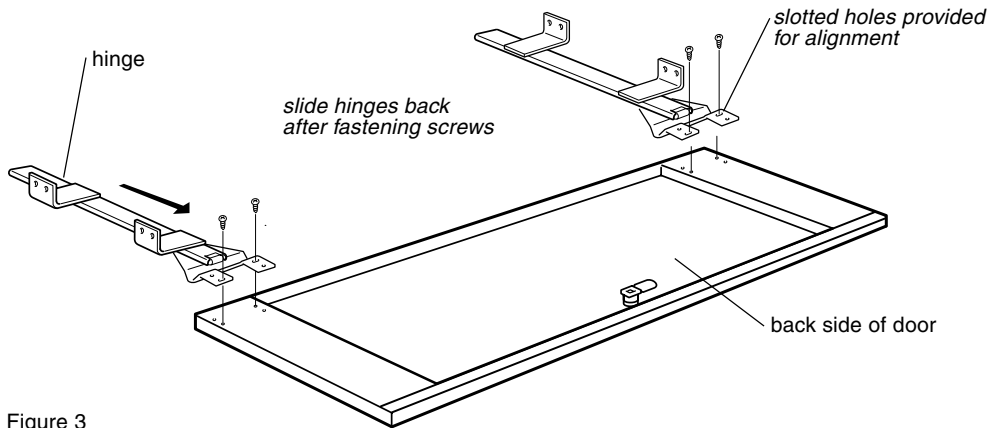


Figure 3

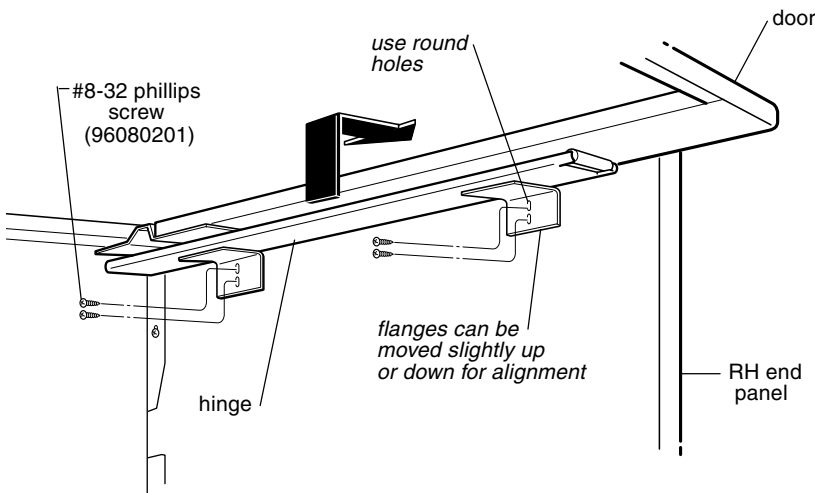


Figure 4

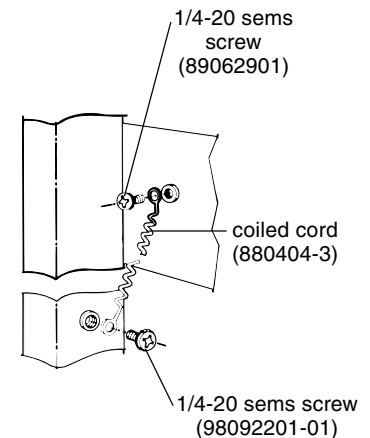


Figure 5