

MULTI- ANGLE SHELF

The Multi-angle Shelf is designed for flat or sloped storage at 8°, 16° or 24° angle.

Installing a flat and 8° angle shelf

1. With flat side up, engage support bracket "A" into left-hand side of frame at designated height. Push down to securely set. Repeat with support bracket "B" into right-hand side of frame. (Figure 1)

2. With top bend facing outward, fasten left-hand angle adapter bracket "L" to the inside of support bracket "A" using three (3) #10-24 x 3/8" button head cap screws provided at angle desired. Repeat with right-hand angle bracket "R" fastening to support bracket "B". (Figure 1 and 2)

3. Place fronts of assembled support brackets under front lip of shelf, making sure that both brackets are positioned between the shelf and center "Z" bar. Push rear of shelf down to seat securely. (Figure 3)

Installing a 16° and 24° angle shelf

4. With sloping sides up, engage support bracket "B" into left-hand side of frame and support bracket "A" into right-hand side of frame per paragraph 1. (Figure 1)

5. With top bend facing outward, fasten right-hand angle adapter bracket "R" to the inside of support bracket "A" using three (3) #10-24 x 3/8" button head cap screws provided at angle desired. Repeat with left-hand angle bracket "L" fastening to support bracket "B". Continue with shelf installation per paragraph 3. (Figure 1 and 2)

Dissipative Finish Shelf

A dissipative finish shelf comes with an ESD Cable Kit Assembly Pack (CKA). The cable kit is used to ground the shelf to the frame.

1. Using 1/4-20 sems screws provided, attach one end of coiled cord to threaded insert located on back left-hand corner of shelf and other end to one of the frame's two (2) threaded grounding locations. Tighten screws.

MF Shelf Adjustable Angle Hd Pk - MFAHP (#96032604)

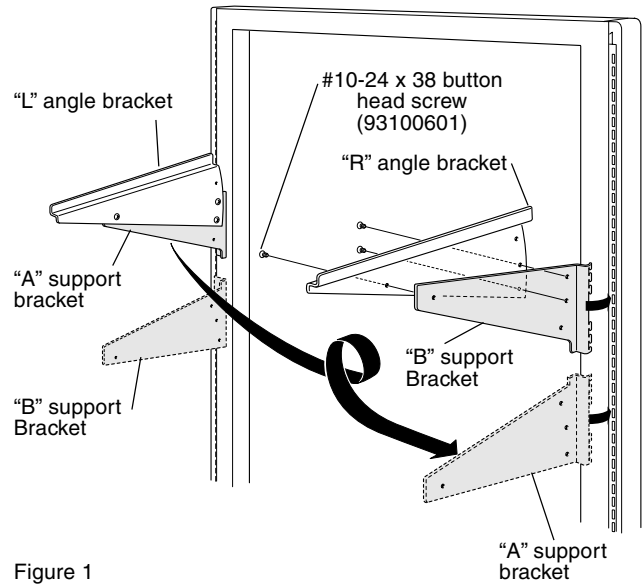


Figure 1

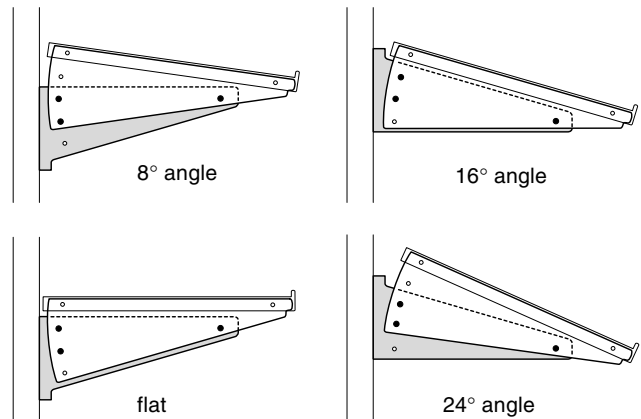


Figure 2

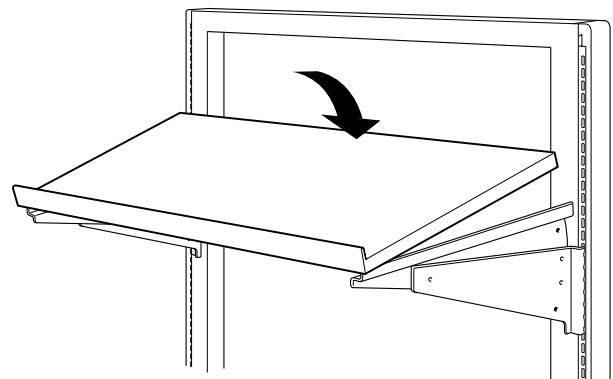


Figure 3