

## UNIVERSAL CABLE TRAY

*Symbiote Surfaces are predrilled for the Universal Cable Tray. The Universal Cable Tray and Backstops are designed to attach together.*

### Installing Universal Cable Tray without a Backstop

1. On underside back edge of surface install four (4) #10-12 x 3/4" phillips screws provided into the predrilled holes in the surface leaving a 3/16" gap between the screw and surface.
2. Align large hole in Cable Tray with the screws in the surface, sliding cable tray forward or backward depending on location desired. (Figure 1)
3. Install four (4) additional screws along side the existing screws to securely hold Cable Tray in place. (Figure 2)

### Installing Universal Cable Tray with a Backstop

4. On underside back edge of surface align the Backstop with the predrilled holes in the surface. install four (4) #10-12 x 3/4" phillips screws provided through the Backstop center holes into the surface, leaving a 3/16" gap between the screw and Backstop.
5. Proceed with step 2 above.

**Surface Accessory Hardware Pack - SFAHP (#96011201)**

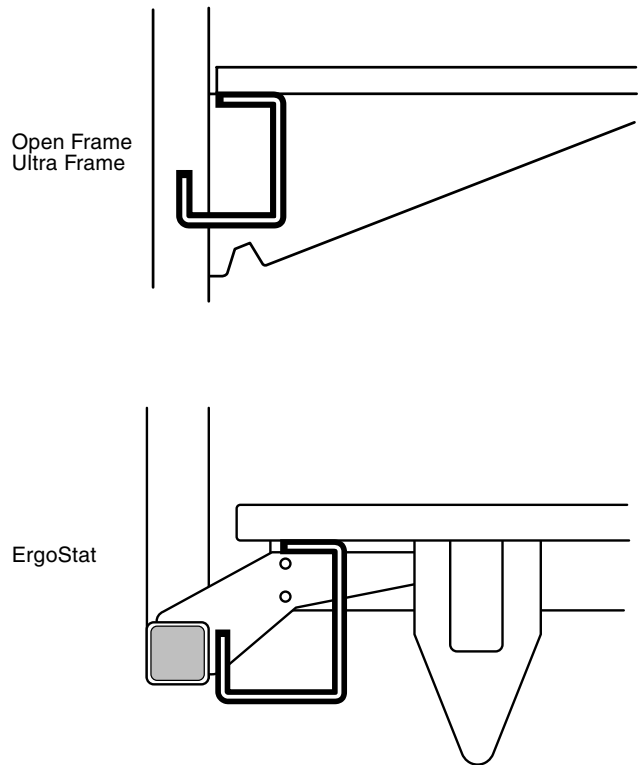


Figure 1  
(side views)

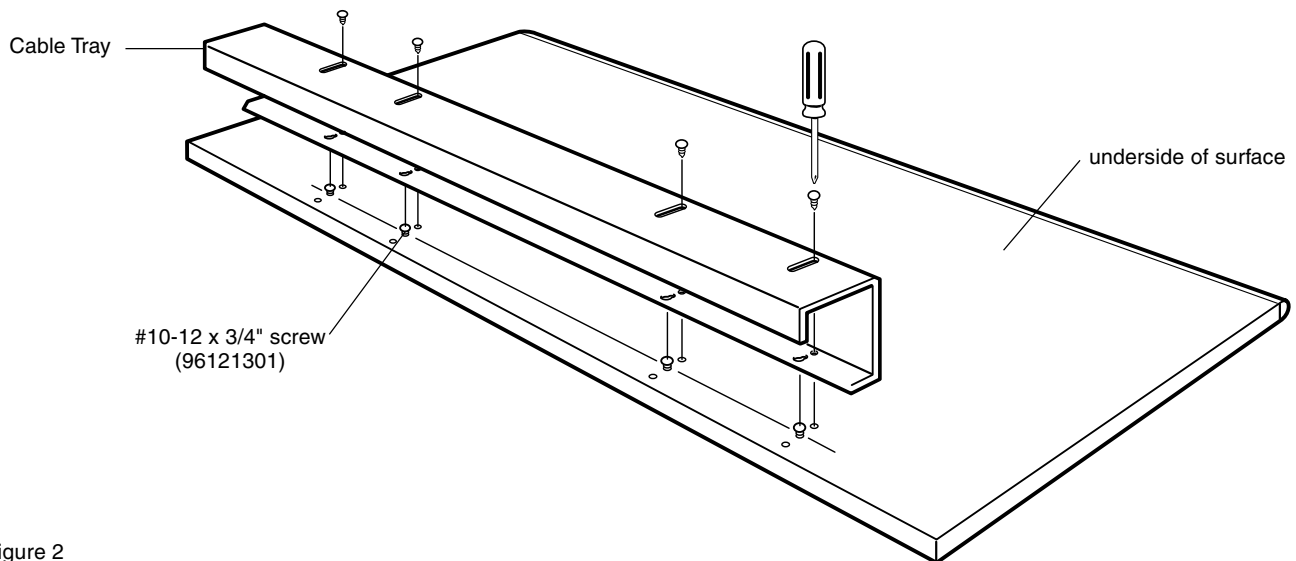


Figure 2