

**C Leg and A Leg**

**Product Numbers**

- CLMxx, CLMxxC5
- CLTxx, CLTxxC5
- CLM9630
- ALG, ALGC5

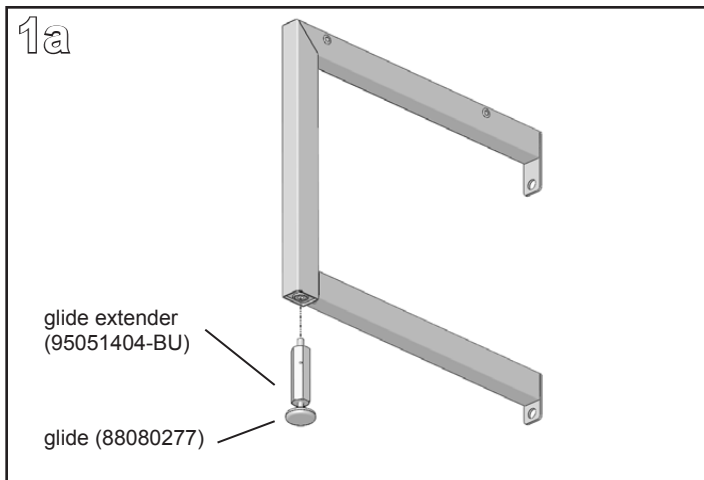
**Required Tools**

- 1/4" Allen Wrench or 1/4" Hex Bit with driver

**Hardware Pack:** LEGHP (p/n 96022009)

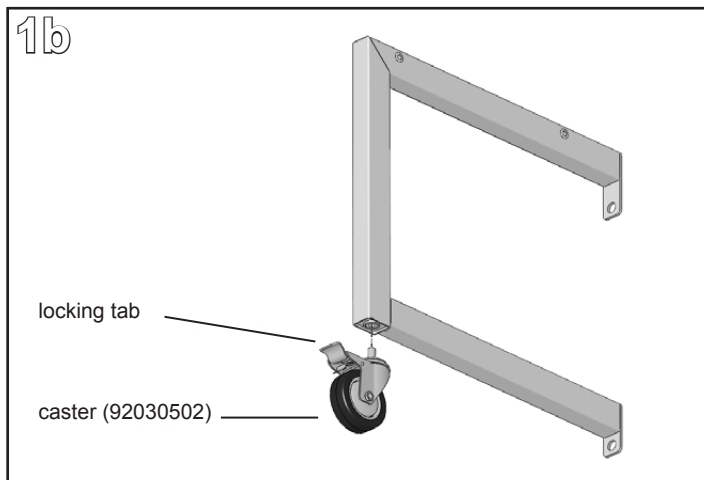
CLG4 (p/n 99010510) for glide style

CASTER56 (p/n 99010508) for caster style

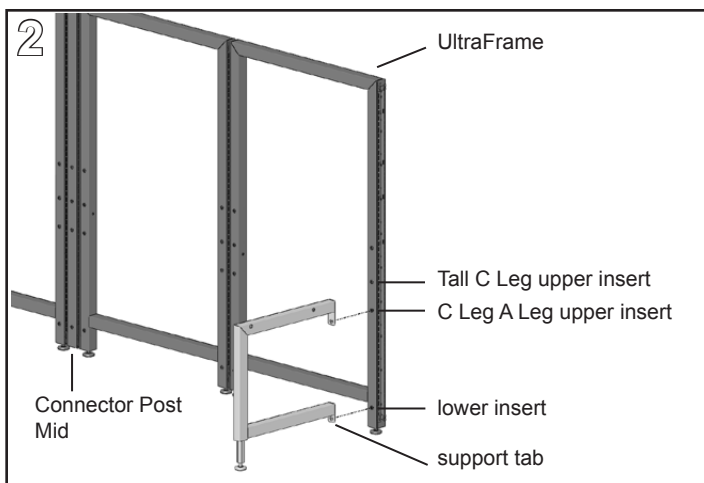


Leg with glide - locate the CLG4 hardware pack (shipped separately) and install glide extender/glide assembly in the threaded hole in the bottom of the leg.

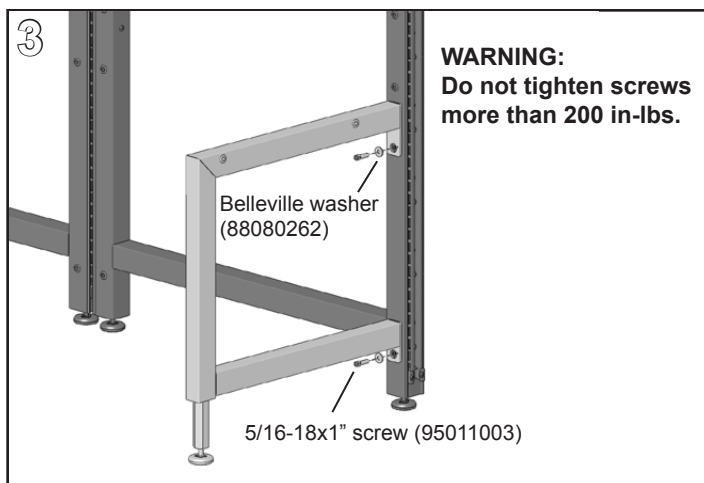
*Note: Glides are already installed in the 96" C Leg.*



Leg with caster - locate the caster (shipped separately) and lock it by pressing the tab near the top of the wheel. Install the caster in the threaded hole in the bottom of the leg.



Align holes in the leg support tabs with the threaded inserts on the front or back face of an UltraFrame or Connector Post. On A Legs a plastic cap covers the top support tab. Remove the cap and replace after completing step 3.



**WARNING:**  
Do not tighten screws more than 200 in-lbs.

Fasten leg to frame/post with (2) Belleville washers placed concave side against the tab and (2) 5/16-18x1" cap screws using a 1/4" Allen wrench/hex bit. For legs with a glide adjust the glide up or down until the leg is level.