

Quick Disconnect Fittings

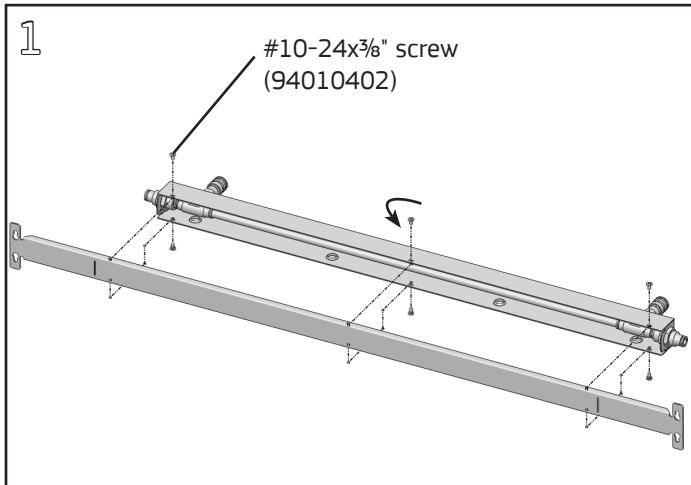
Product Numbers

- CADF-1/4
- CADS-1/4
- CADD5-1/4

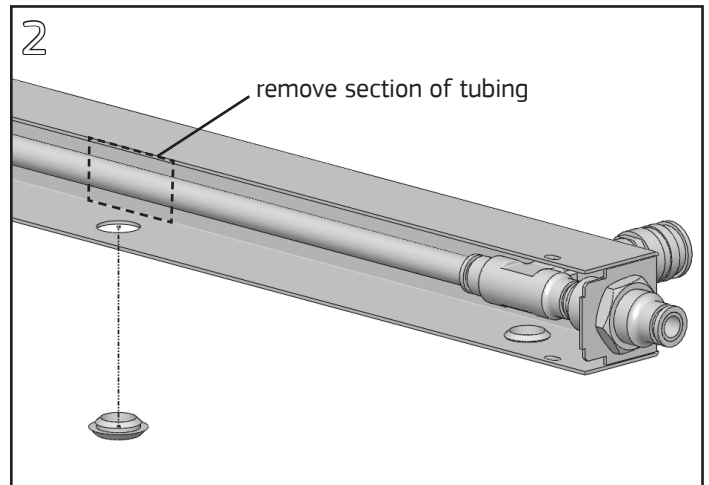
Hardware Pack: none

Required Tools

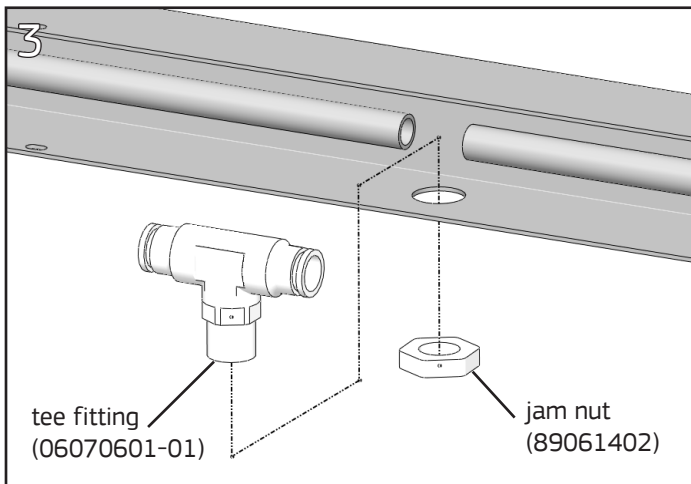
- Tape Measure
- Tube Cutter



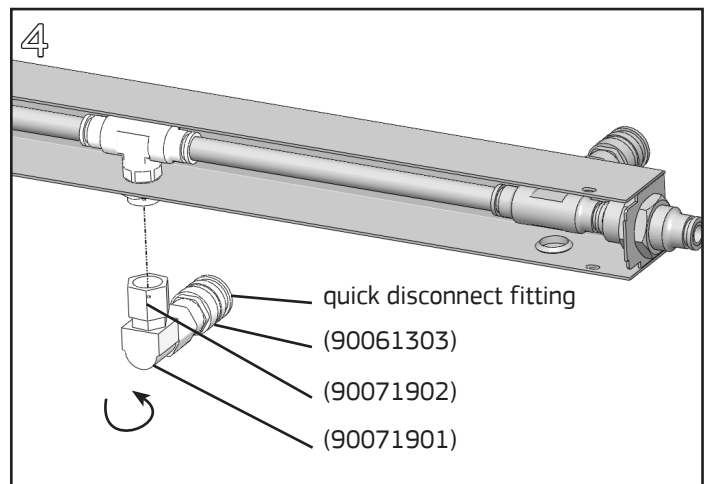
Remove the back of the Air Strips by unfastening the #10-24x3/8" Phillips pan head screws using a #2 Phillips screwdriver.



Remove the plug from the location where the Quick Disconnect Fitting is to be installed. Cut and remove approximately 1" of tubing at this location using a Tube Cutter.



Install tee fitting in open hole and connect each end to the cut tubing. Fasten tee with jam nut.



Thread Quick Disconnect Fitting onto end of tee fitting. Reassemble Air Strip back.