

Compressed Air Tube Kit

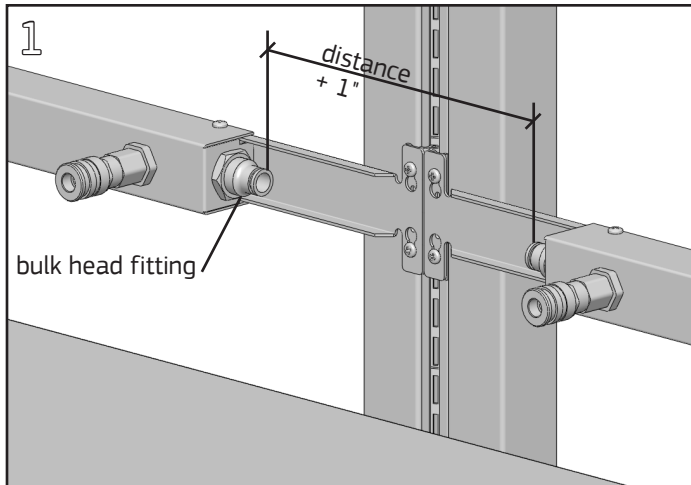
Product Numbers

- CATK

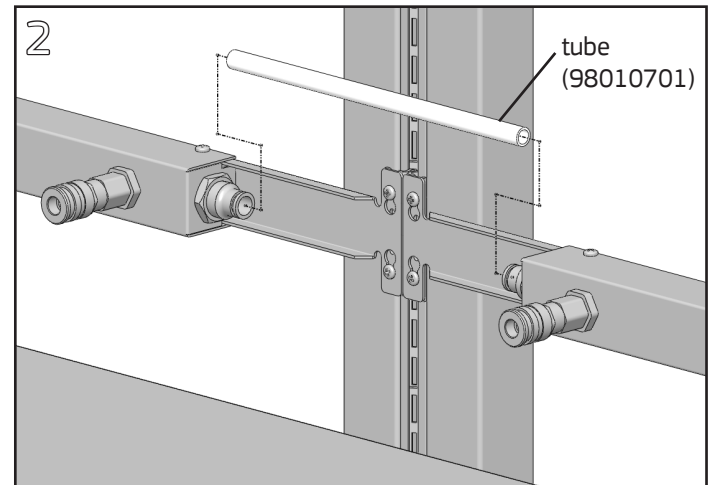
Hardware Pack: none

Required Tools

- Tape Measure
- Tube Cutter (included)



Measure distance between adjacent Air Strip bulk-head fittings. Add approximately 1" to this measurement and cut $\frac{1}{2}$ " tube to length using **Tube Cutter**.



Insert tube ends into the end fitting of each Air Strip.