

Compressed Air Entry Kit

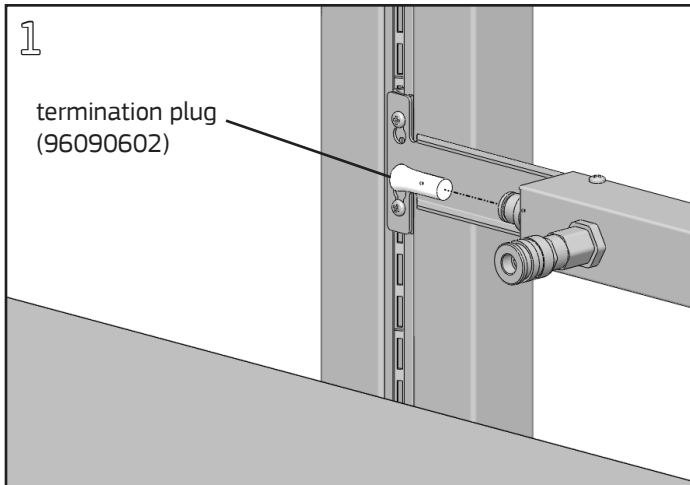
Product Numbers

- CAEK

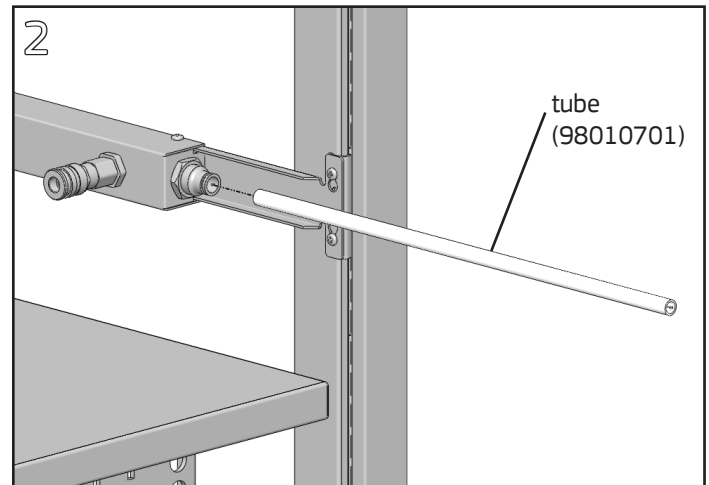
Hardware Pack: none

Required Tools

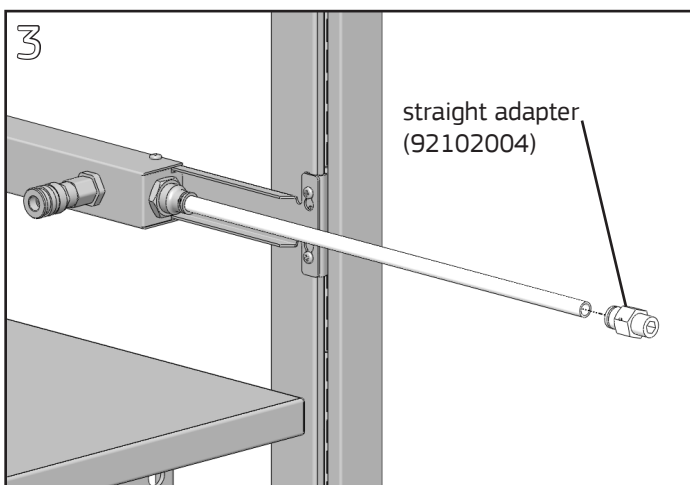
- Tube Cutter



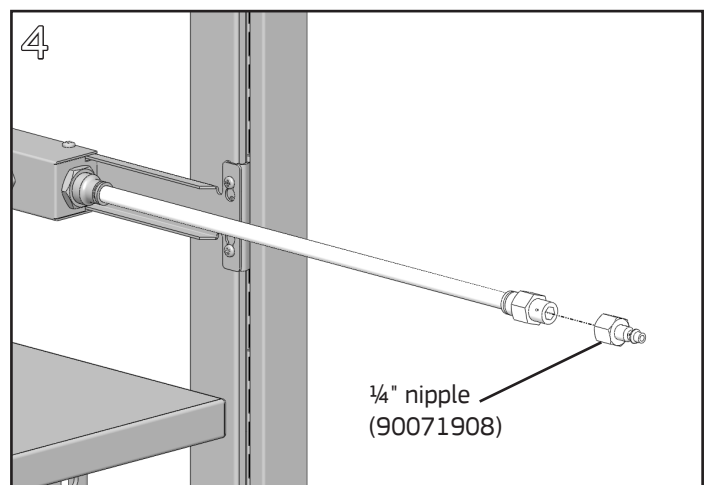
Insert Termination Plug into the last Air Strip end fitting of the run.



Insert the 1/2" tube provided into the end fitting of the Air Strip at the beginning of the run.



Cut tube to length if required with the **Tube Cutter**. Push end of tube into straight adapter.



Connect the straight adapter to building air supply, or assemble the 1/4" quick disconnect nipple to the straight adapter for source connection.