

## UTILITY DISTRIBUTOR 8-WIRE

The Utility Distributor comes with quick disconnects (if specified) pre-installed. If present, refer to their own installation instructions. The top channel is for voice/data cable.

**Note:** The power supply to the distributor must be turned off before performing any of the installation procedures.

**Note:** For ease of Jumper Cables and Power Entry Cable installation, spray cable connections with Radio Shack's Tuner Control Cleaner and Lubricant (#64-4315).

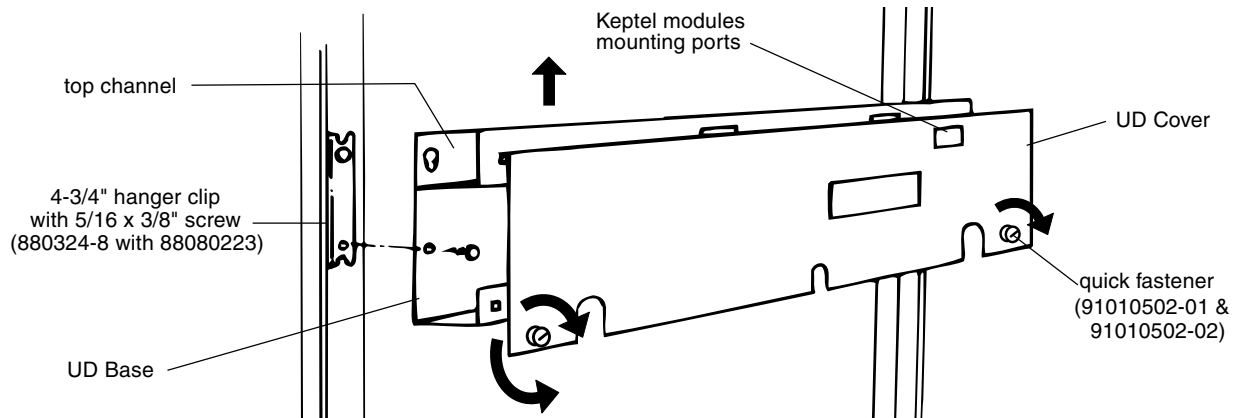


Figure 1

1. At designated mounting location, install hanger clips on left and right sides of frame. Make sure clips are firmly seated. Install a 5/16 x 3/8" phillips screw into top hole of each hanger clip, leaving a 3/16" gap between the screw and clip. (Figure 1)

2. Remove front cover of the UD8, by turning the quick fastener with a slotted screw driver or coin. Swing out bottom of cover and completely lift off.

3. Align top of keyhole slots on UD8 ends with the hanger clip screws. Slide down over screws to engage. Install two additional screws in lower holes. Securely tighten all screws. (Figure 1)

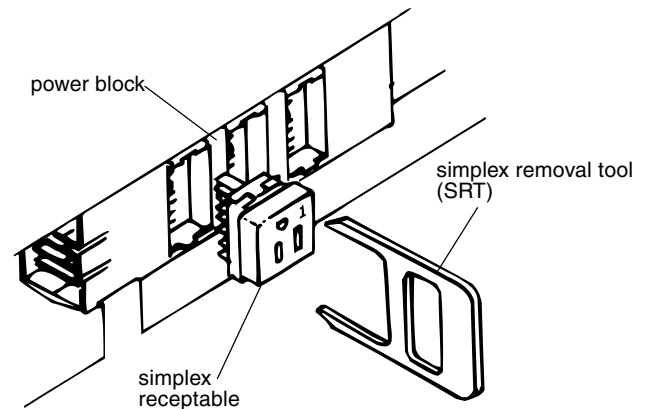


Figure 2

**Important!** The simplex receptacles can be installed before or after the UD8 is attached to the frame.

### To install Simplex Receptacle in UD8 front

4. Push designated receptacle into the power block until it snaps. It is installed properly when it can not be removed by hand. (Figure 2)

### To install Simplex Receptacle in UD8 back

5. Remove "bezel" by turning quick fasteners per paragraph 3 and sliding top flange of bezel out from under the UD8 base unit. Install receptacle same as paragraph 4. (Figure 3)

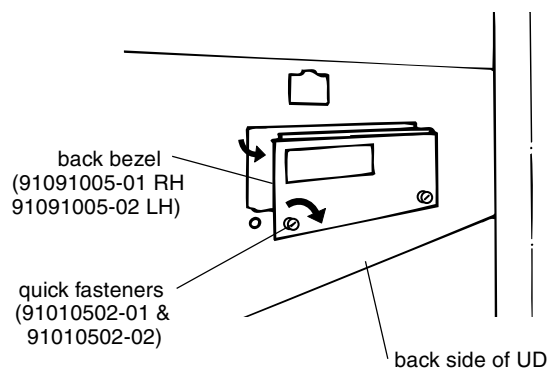


Figure 3