

## TACKBOARD & MARKER BOARD; SINGLE-SIDED

The single-sided units are designed to mount over the front of a frame.

1. Lay boards face down. Install four (4) #8-12 phillips screws into pilot holes, leaving a 3/16" (4.6) gap between the board and the screw head bottom. Tackboards have the screws preinstalled.
2. At designated mounting location, install four 3-1/4" (83) hanger clips on left and right side of frame. Make sure clips are firmly seated.
3. Align screws with the notch in the top of the hanger clip and slide board down over screws to engage. (Figure 1)

**Tackboard single Hdw. Pk. – TBSHP (#95012001)**  
**Marker Board Single Hdw. Pk. – MBSHP (#98092501-02)**

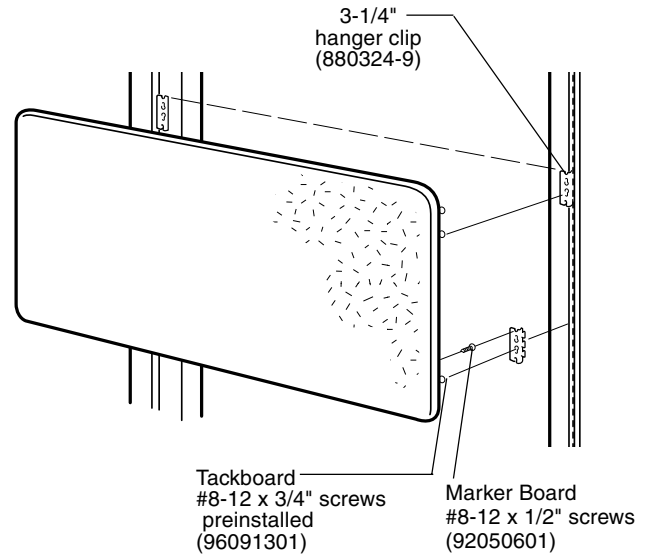


Figure 1

## TACKBOARD & MARKER BOARD; DOUBLE-SIDED

The double-sided units are designed to hang inside a frame's opening.

1. Align mounting holes in short leg of bracket with holes in back side of board. Attach each bracket with two (2) #10-12 phillips screw provided. Make sure screws are snug. Tackboards have the screws preinstalled, remove one screw per bracket location and reinstall with brackets. (Figure 2)
2. At designated mounting location install 1-5/8" (41) hanger clips on left and right side of frame. Make sure clips are firmly seated. Install a #10-24 x 3/8" phillips screw into top hole of each hanger clip leaving a 3/16" (4.6) gap between the screw and the clip.
3. Align top slots in brackets with the hanger clip screws. Slide down over screws to engage. Install remaining screws in bottom bracket holes. Securely tighten all screws. (Figure 3)

**Tackboard Double Hdw. Pk. - TBHP**  
**Marker Board Double Hdw. Pk. – MBDHP**

## MARKER BOARD TRAY

One tray is included with each Marker Board, Single and Double-sided. Boards come with predrilled holes.

1. Slip tray over bottom of Marker Board centering on unit and aligning all holes. Attach with two #10-12 x 1/2" phillips screws (#97011005) included.

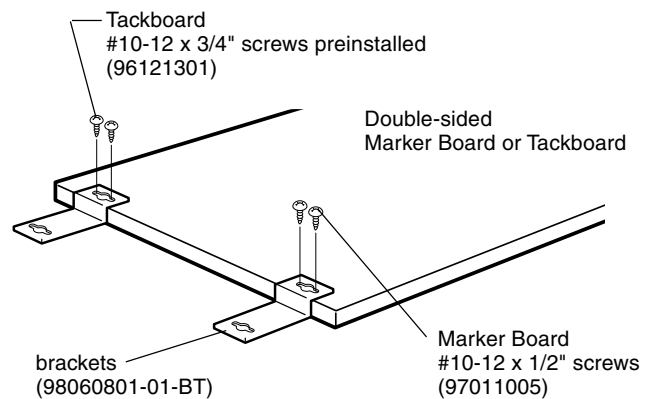


Figure 2

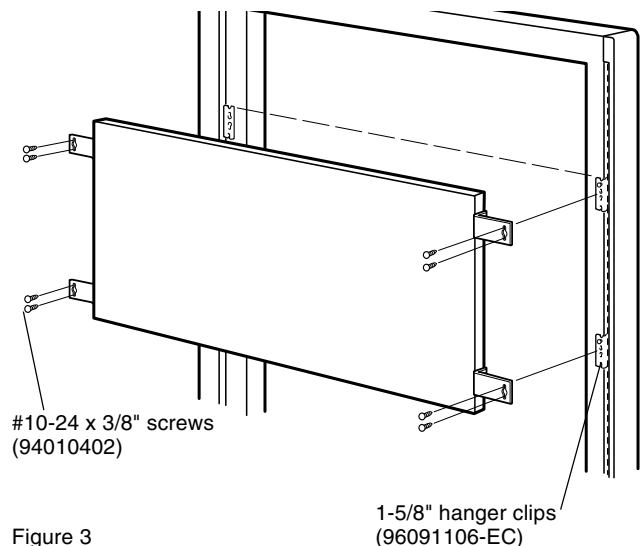


Figure 3