

## Common Point Ground

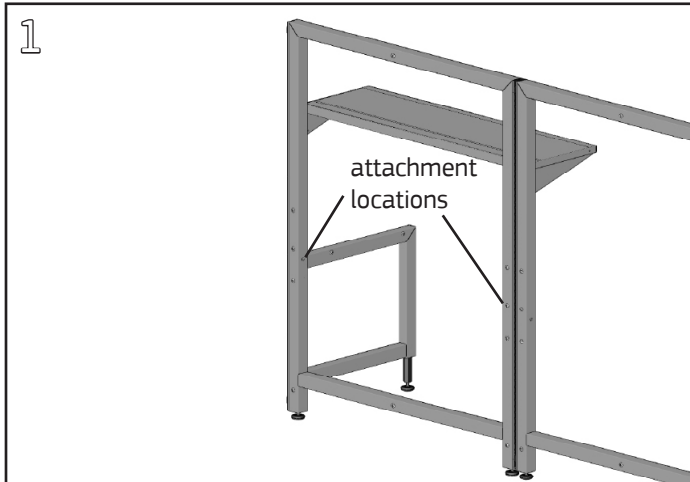
### Product Numbers

- CPG

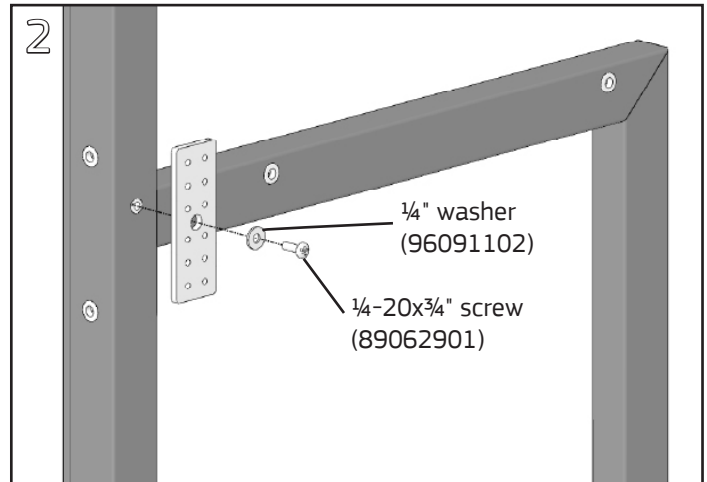
Hardware Pack: none

### Required Tools

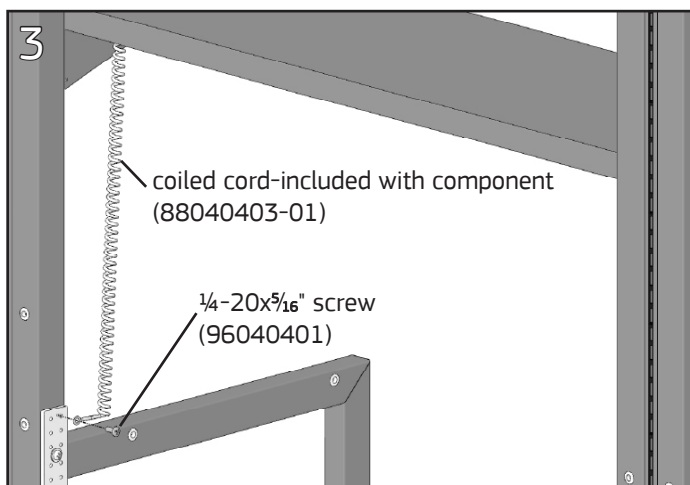
- #2 Phillips Screwdriver



Threaded insert attachment locations for the Common Point Ground plate can be found on the inside faces of the vertical tubes of UltraFrames and Riser Frames. There is one on the left and one on the right side of each frame.



Align the center hole in the plate with the threaded insert in the frame and fasten with a 1/4" flat washer and 1/4-20x3/4" Phillips pan head screw using a #2 Phillips screwdriver.



Route the coiled cords which are attached to the dissipative finish components to the Common Point Ground plate. Fasten the ring terminal on the cord to the plate with a 1/4-20x5/16" Phillips pan head screw. Up to twelve coil cords can be attached to the plate.