

CANTILEVERED FOOTREST

The Footrest comes assembled in the lowest position for use with a 30" deep work surface. The illustrations show a FRMA24, for an O Series Frame.

To install on an Open or Ultra Frame

1. Drop U-brackets over the bottom rail of open frame panel at desired location. Make sure bracket is securely resting on frame. (Figure 1)

To adjust Footrest upwards

This adjustment can be achieved with Footrest on or off the frame.

2. Unscrew both rosette knobs at each side of Footrest. Pull up support arm until desired height is reached. Align holes in support arm with rosette knobs and reinstall knobs, tighten securely. (Figure 1)

To move treadle for a 36" depth surface.

3. Remove foot treadle from the support arm by removing the nuts.

4. Turn foot treadle 180° so edge of treadle is 1-1/2" from edge of support arm. (Figure 2)

5. Reinstall treadle to the support arm assembly, securely tightening the nuts.

Dissipative Foot Treadle

All static dissipative surfaces come with a pre-packaged Laminate grounding Terminal (LGT3). To assure ground path continuity, install per it's installation instructions.

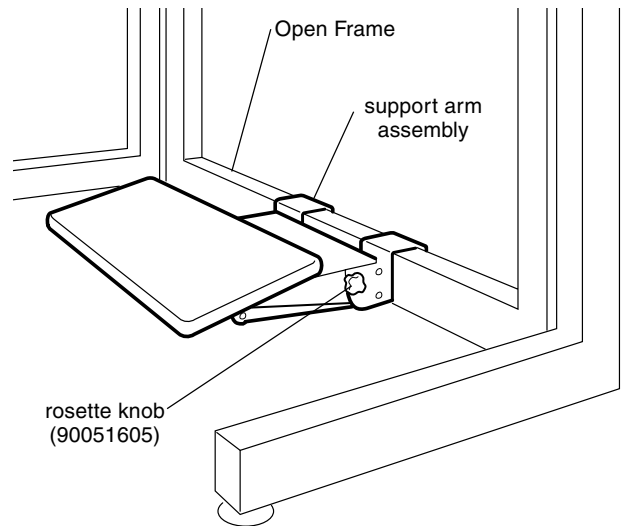


Figure 1

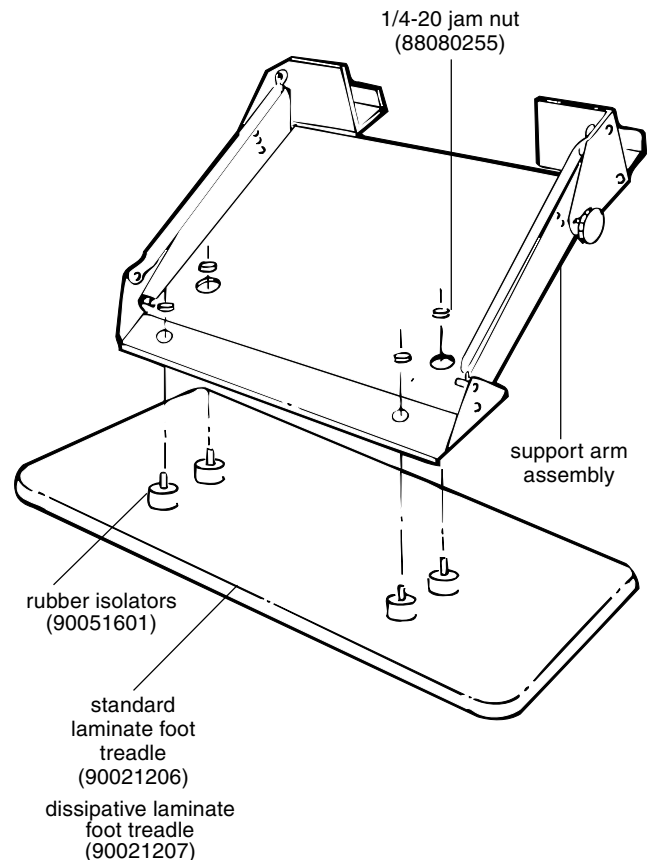


Figure 2