

### General Task Light

**Product Numbers**

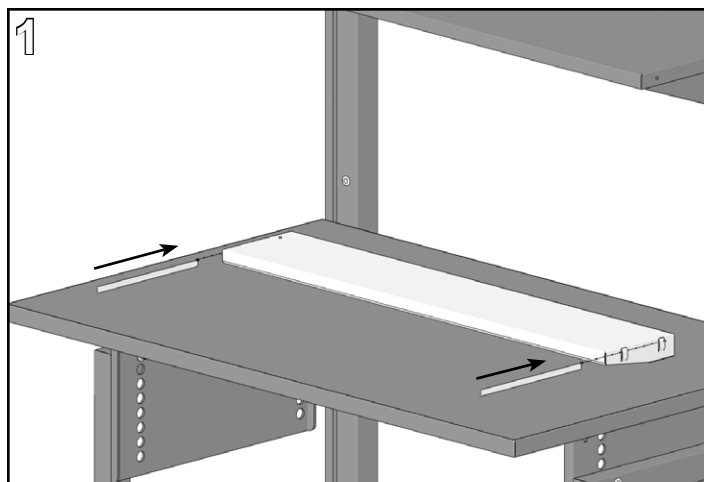
- L1xx

**Required Tools**

- none

**Hardware Pack:** TLGHP (p/n 97042301)

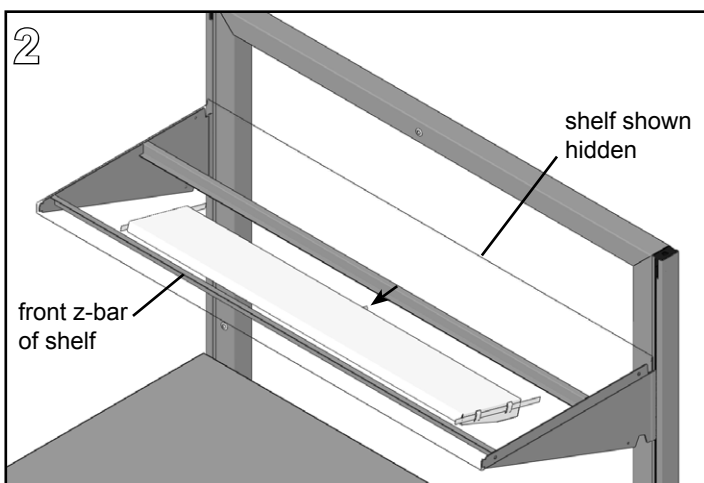
**CAUTION:** *Injury to persons and damages to the light mounting surface may result if the light is pulled from the mounting surface. Always mount light only to a mounting surface that is mechanically sound to reduce likelihood of such injury or damage.*



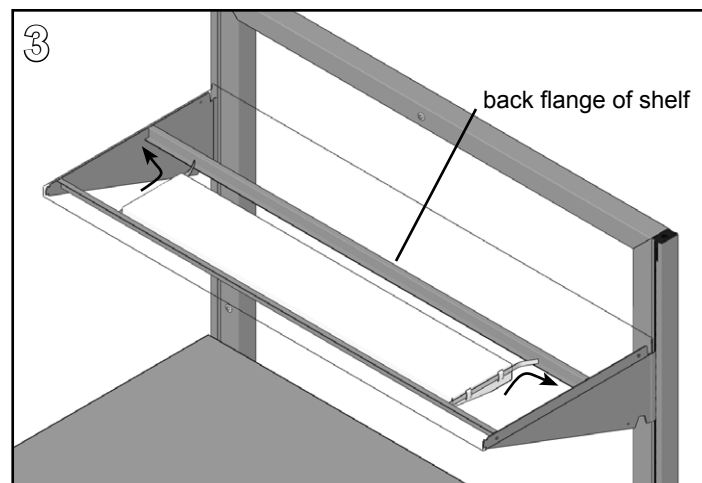
Shelf Style	Spring Bar Length
Center Shelf (CSA)	9-7/16"
Multi-function (MFS)	9-7/16"
General Purpose (GPS)	11-3/16"
Storage Shelves (SL & SH)	11-3/16"
Storage Cabinets (SCA)*	13"

\* spring bars for storage cabinets must be ordered seperately, see LSB13.

Insert spring bars through the lances in the left and right sides of the light with approximately 2" of bar extending beyond the light fixture. Various spring bar lengths are provided depending on shelf style.

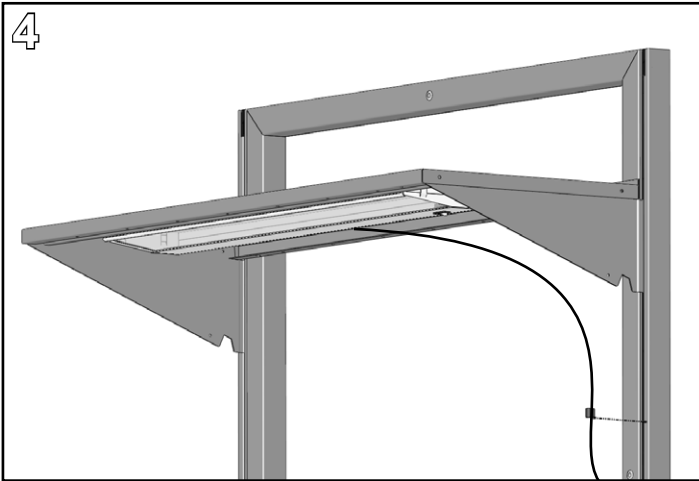


Under the installed shelf or cabinet, place the front tips of the spring bars over the front flange or z-bar on the underside of the shelf.



Gently bend the back tips of the spring bars outward and engage them over the back flange on the underside of the shelf/cabinet. Straighten bars and position the light under the shelf.

## General Task Light



Place cord manager around Task Light cord and push into hanger frame slots to manage cord.